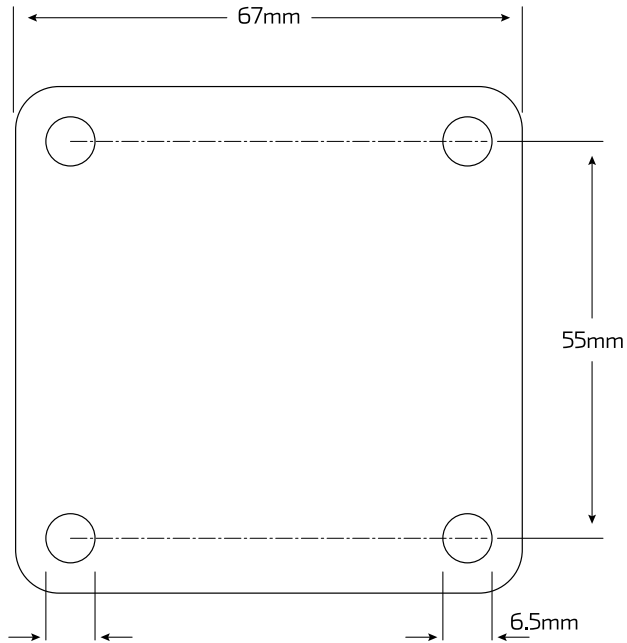


4 POSITION ROTARY BATTERY ISOLATOR

Cut-Out Diagram

Cut-Out:



Electrical Diagram:

