



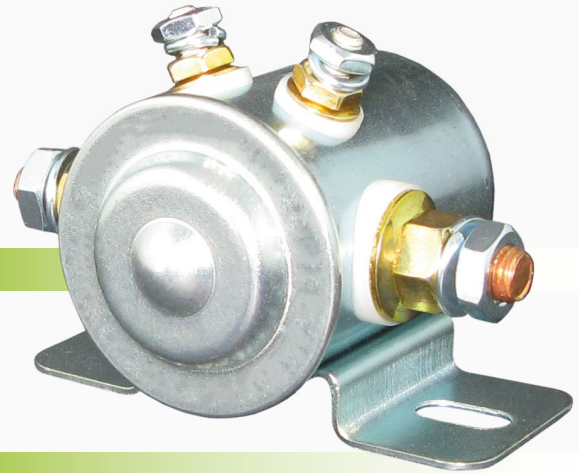
12V 85A Continuous Duty Solenoid

Cole Hersee Co. #24059

www.colehersee.com.au

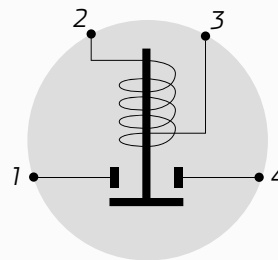
DESCRIPTION

12V, 85A continuous duty solenoid with insulated earth stud.
750A make, 100A break.



FEATURES

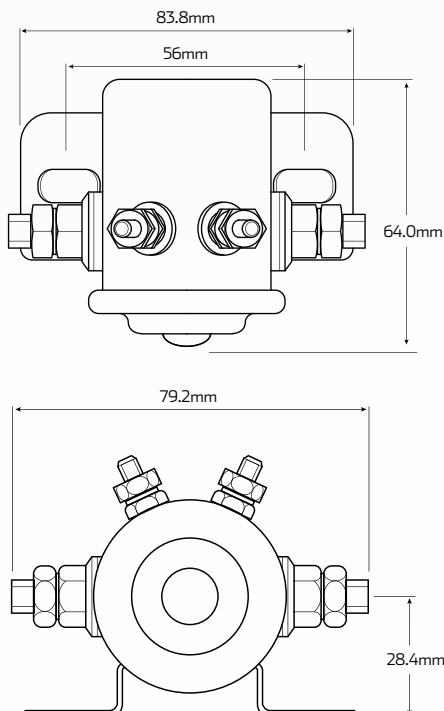
- Continuous duty solenoid
- SPST normally open (one circuit) OFF/ON
- Plated steel housing, hexnuts and washers included
- 4 stud, insulated earth stud
- Mount with brand cap facing "down"
- Intermittent rating 10 seconds on, 30 mins off
- Copper contacts



ELECTRICAL SCHEMATIC

Caution: never unscrew the inner hexnuts on the studs. These keep the stud and inner wiring in place.

TECHNICAL SPECIFICATIONS



| | |
|-------------------------------|------------------------------------|
| Voltage | • 12 Volt DC |
| Amperage | • 85 Amp |
| Circuitry | • Single-Pole, Single-Throw (SPST) |
| Contacts | • Normally Open (NO) |
| Housing Material | • Plated steel |
| Contact Terminals | • Copper |
| Battery Terminals | • 5/16" - 24 threads |
| Coil Studs | • 10 - 32" threads |
| Insulated / Grounded | • Insulated |
| Operating Temperature | • -40°C to 85°C |
| Bracket Mounting Holes | • 7.9mm x 15.1mm, 56.0mm CTC |