

DIN Plug with LED 2 Pin + Earth

#DP9344192

www.qvee.com.au

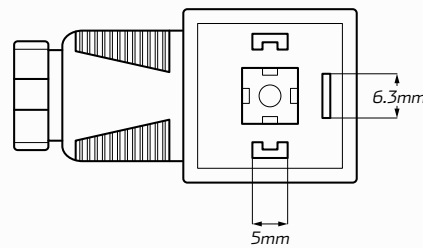
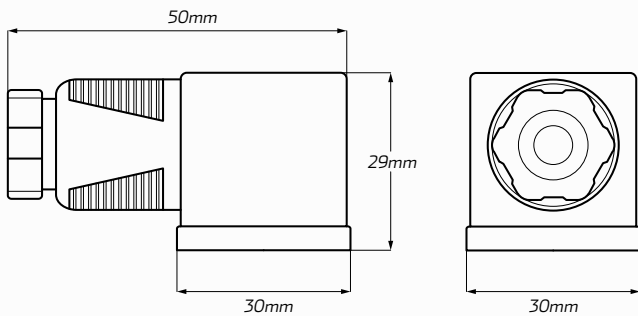
DESCRIPTION

Square DIN lead plug with indicator LED. Suitable for 12 or 24 Volt applications. IP65 rated.

Transparent housing, with built-in cable gland for strain relief providing a good resistance to chemicals and oil.

FEATURES

- 12/24 Volt applications
- IP65 rated water and dustproof
- LED indicator and transparent polycarbonate housing
- Requires 24V voltage rating for LED indicator function



2 pin + earth connection
Includes a M3 screw and gasket

TECHNICAL SPECIFICATIONS

No. of Terminals	• 2 terminals + earth
Suitable Voltage	• 12 / 24 Volt applications
Withstanding Voltage	• 250 Volt AC
Current Rating	• 16A max current
Contact Material	• Silver-plated brass

Body Material	• Polypropylene
Body Colour	• Transparent
Thread Size	• PG07
IP Rating	• IP65 rated
Operating Temperature	• -40°C to 90°C