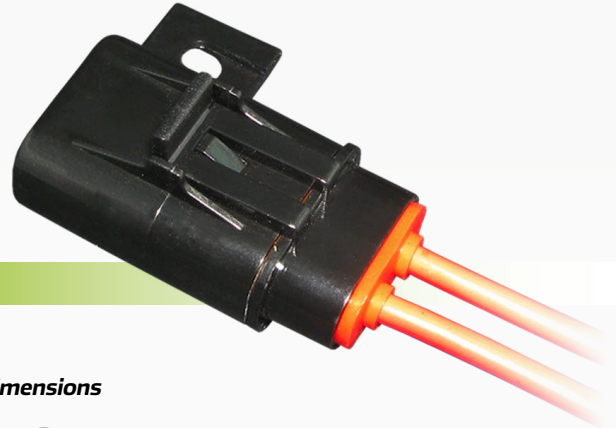


In-Line Waterproof ATO Blade Fuse Holder

#FH1012FBN

www.qvee.com.au

Fuses are not included



DESCRIPTION

In-line waterproof fuse holder to suit standard blade fuses.
Pre-wired. Rated 30A @ 12 Volt.

FEATURES

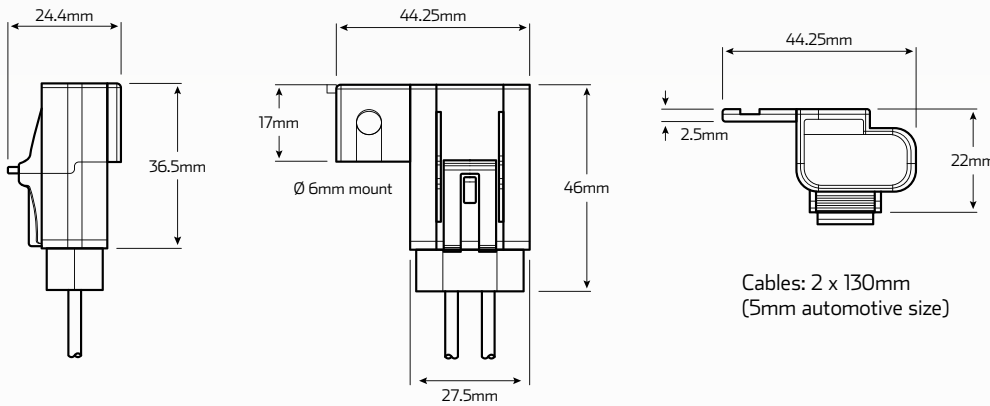
- Suitable for use with ATO blade fuse up to 30A
- Equipped with waterproof fuse cover (IP67)
- Comes pre-wired with 5mm automotive cable

Fuse Dimensions



- L: 19.1mm
- H: 12.3mm
- W: 5.1mm
- Inserts: 6.4mm x 0.65mm

DIMENSIONS



Cables are still intact and will require cutting prior to assembly*

* To avoid warranty issues QVEE recommends our products are fitted by a qualified auto electrician.

Cables: 2 x 130mm
(5mm automotive size)

TECHNICAL SPECIFICATIONS

Suitable Fuse	• Standard (ATO) blade fuse (up to 30A)	Max. Temperature	• 105°C
Current Rating	• 30A @ 12 Volt	Peak Cable Voltage	• 600V AC
Body Material	• Polycarbonate insulation	Cable Material	• Extruded PVC
Body Colour	• Black	Cable Size	• 12 AWG / 5mm auto - 130mm long (both cables)
Contact Material	• Brass tin plated contacts	Weatherproof	• IP67 (when cap is properly in place)
Flammability	• VW-1	Approvals	• UL 1015