

Warning Buzzer

#FM12A

www.qvee.com.au

DESCRIPTION

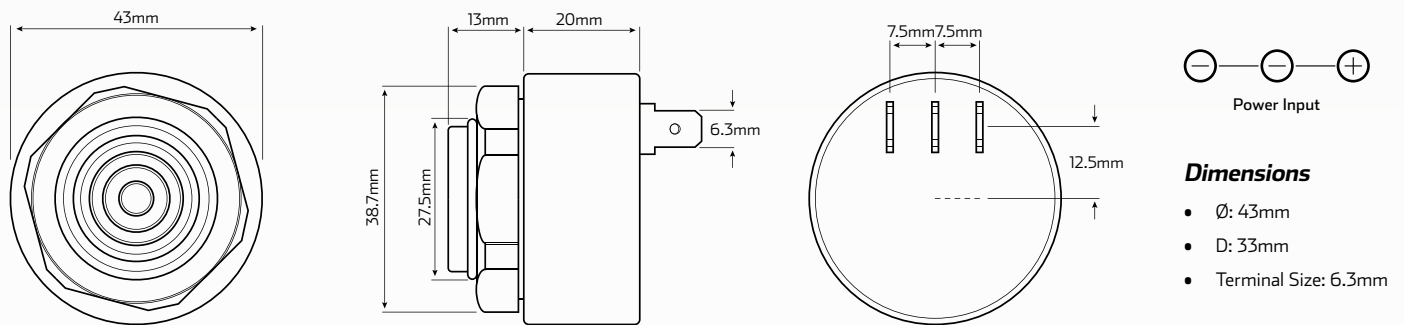
85dB panel mount warning buzzer. 28mm mounting diameter.
These alarms are epoxy filled to provide more vibration resistance.

FEATURES

- Multivolt: 6 - 28 Volt
- Epoxy filled for vibration resistance
- Panel mount (built-in plug)
- Continuous or pulsed output up to 85 dB



DIMENSIONS



TECHNICAL SPECIFICATIONS

| | |
|-----------------------------|------------------------------------|
| Voltage | • 6 - 28 Volts |
| Current Draw | • 0.18 Amp |
| Sound Pressure Level | • 85dB @ 1m |
| Sounder Unit | • Piezo |
| Sound Frequency | • 2,900 Hz |
| Buzzer Tone | • Continuous (slow pulse @ 12V DC) |

| | |
|------------------------------|------------------------|
| Operating Temperature | • -30°C to 85°C |
| Storage Temperature | • -40°C to 95°C |
| Dimensions | • 43mm Ø x 33mm D |
| Mounting Style | • Panel Mount |
| Terminal Size | • 6.3mm spade terminal |