

## Fully Insulated Terminals

Sold in Packs of 100

www.qvee.com.au

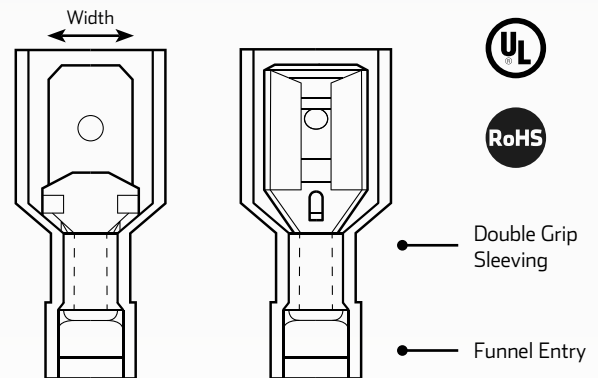


### DESCRIPTION

QVEE's crimp terminals are all copper sleeved. They are manufactured to the highest standards and conform to UL specifications. Our premium copper sleeve range (also known as "double grip") are funnel entry to aid in the speed of termination and prevent wire strands folding back.

### TECHNICAL SPECIFICATIONS

<b>Material</b>	• Brass tin plated with vinyl insulation
<b>Insulation Colour</b>	<b>Maximum Electrical Rating</b>
Red – 3mm Cable	• 105°C, 300 Volts, 10 Amp Max
Blue – 4mm Cable	• 105°C, 300 Volts, 15 Amp Max
Yellow – 5-6mm Cable	• 105°C, 300 Volts, 24 Amp Max



### PART NUMBERS

#### Male Fully Insulated Spade Terminals

Part No.	Insulation Colour	Spade Width	Auto Cable Size	Description
CT64/100	• Red	• 6.3mm	• 3mm (1.13mm <sup>2</sup> )	• Red male spade terminal with 6.3mm spade, suits 3mm automotive cable
CT65/100	• Blue	• 6.3mm	• 4mm (1.84mm <sup>2</sup> )	• Blue male spade terminal with 6.3mm spade, suits 4mm automotive cable
CT69/100	• Yellow	• 6.3mm	• 5-6mm (2.90-4.59mm <sup>2</sup> )	• Yellow male spade terminal with 6.3mm spade, suits 5-6mm automotive cable

#### Female Fully Insulated Spade Terminals

Part No.	Insulation Colour	Spade Width	Auto Cable Size	Description
CT66/100	• Red	• 4.8mm	• 3mm (1.13mm <sup>2</sup> )	• Red female spade terminal with 4.8mm spade, suits 3mm automotive cable
CT16/100	• Red	• 6.3mm	• 3mm (1.13mm <sup>2</sup> )	• Red female spade terminal with 6.3mm spade, suits 3mm automotive cable
CT35/100	• Blue	• 6.3mm	• 4mm (1.84mm <sup>2</sup> )	• Blue female spade terminal with 6.3mm spade, suits 4mm automotive cable
CT55/100	• Yellow	• 6.3mm	• 5-6mm (2.90-4.59mm <sup>2</sup> )	• Yellow female spade terminal with 6.3mm spade, suits 5-6mm automotive cable