



## LED Red / Amber Marker / Side Indicator Lamp

#LED60AR

www.qvee.com.au



Comes with 500mm pre-wired cable

### DESCRIPTION

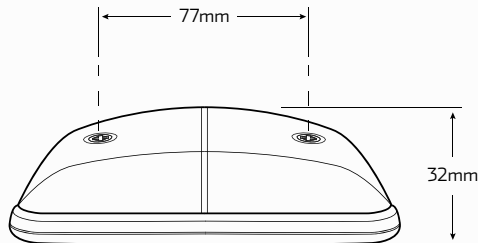
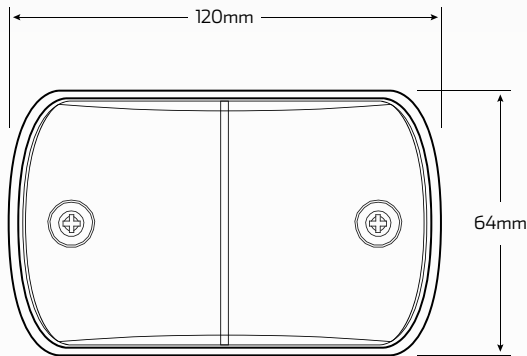
LED red/amber marker or side direction indicator lamp. 12-24V with black mounting bracket and mounting screws.

ADR approved.

### FEATURES

- High visibility side marker / indicator lamp
- Easy to install surface mount
- Direct replacement for similar style globe type marker lights
- Angled optics for maximum light output
- ADR approved

### DIMENSIONS



### ACCESSORIES

- Fitting Screws
- Rubber Cover

### TECHNICAL SPECIFICATIONS

<b>Voltage</b>	• 12 - 24 Volt DC
<b>Wattage</b>	• Side Marker 0.5W
<b>IP Rating</b>	• IP67 Rated (Hermetically Sealed)
<b>Lens Materials</b>	• High Impact PMMA Lens
<b>Base Material</b>	• ABS Body with Rubber Cover

<b>Wiring</b>	• Pre-wired 500mm twin sheath
<b>Mounting</b>	• Surface Mount, 77mm CTC
<b>Dimensions</b>	• 120mm L x 64mm W x 32mm H
<b>Estimated Working Life</b>	• 100,000 Hours
<b>Approvals</b>	• ADR 45/01 & CRN 29715