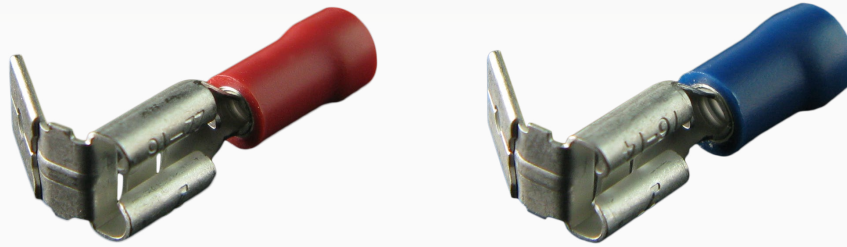




## Piggy Back Crimp Terminals

Sold in Packs of 100

www.qvee.com.au



### DESCRIPTION

QVEE's crimp terminals are all copper sleeved. They are manufactured to the highest standards and conform to UL specifications. Our premium copper sleeve range (also known as "double grip") are funnel entry to aid in the speed of termination and prevent wire strands folding back.

### TECHNICAL SPECIFICATIONS

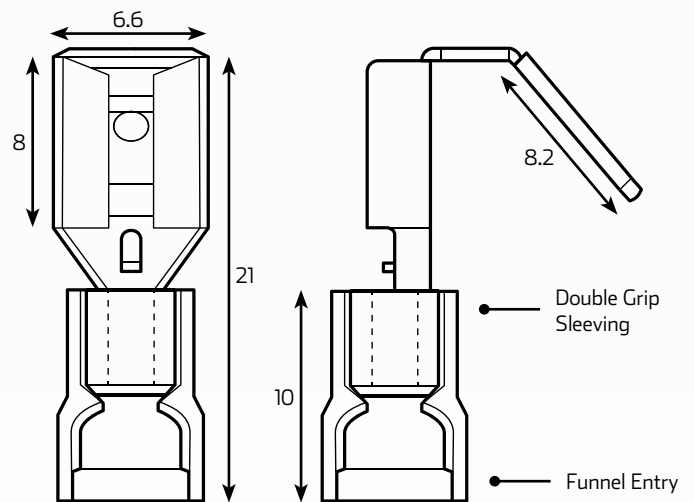
<b>Material</b>	• Brass tin plated with vinyl insulation
<b>Max Electrical Rating</b>	• 105°C, 300 Volts

#### CT15 Specifications

<b>Wire Range</b>	• 22 - 16 AWG / 0.5 - 1.5mm <sup>2</sup>
<b>Wire Size</b>	• 0.25 - 1.65mm <sup>2</sup>

#### CT34 Specifications

<b>Wire Range</b>	• 16 - 14 AWG / 1.5 - 2.5mm <sup>2</sup>
<b>Wire Size</b>	• 1.04 - 2.63 mm <sup>2</sup>



\* All measurements are in mm.

### PART NUMBERS

Part No.	Insulation Colour	Spade Width	Auto Cable Size	Description
CT15/100	• Red	• 6.3mm	• 3mm (1.13mm <sup>2</sup> )	• Piggy back terminal with 6.3mm spade, suits 3mm automotive cable
CT34/100	• Blue	• 6.3mm	• 4mm (1.84mm <sup>2</sup> )	• Piggy back terminal with 6.3mm spade, suits 4mm automotive cable