



SPDT 280 Mini Relays

#QV898H1CHCRI

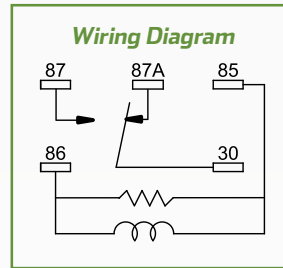
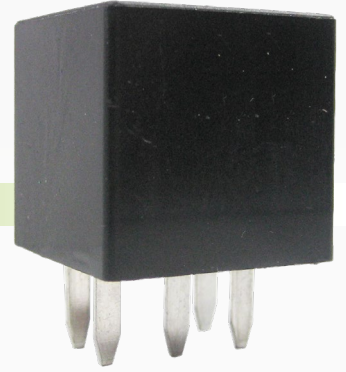
www.qvee.com.au

DESCRIPTION

Change over 5 pin mini 280 relays (SPDT). Suitable for a wide range of automotive applications. Resistor protected.

FEATURES

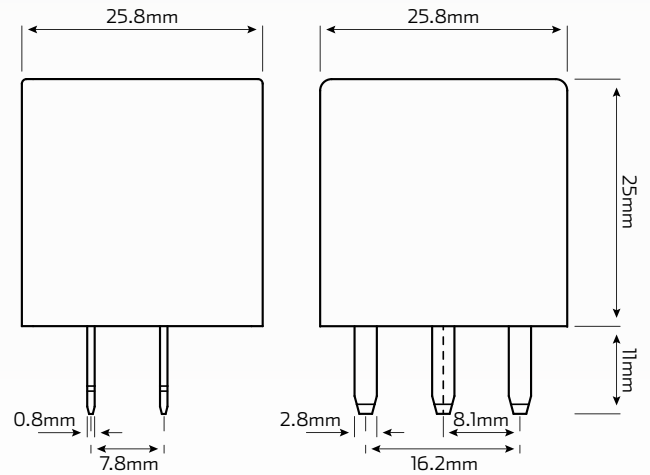
- SPDT change over contact configuration
- -40°C to 125°C operating temperature
- RoHS and ELV compliant



TECHNICAL SPECIFICATIONS

| | |
|-----------------------------------|----------------------------------|
| Coil Current | • 133mA (12V), 66.7mA (24V) |
| Coil Resistance | • 90 Ohms (12V), 360 Ohms (24V) |
| Contact Voltage Drop | • Typ. 50mV at 10A |
| Contact Material | • Silver tin oxide alloy (Ag3Sn) |
| Operate / Release Time | • 20ms max / 20ms max |
| Enclosure | • Flux tight seal |
| Operating Temperature | • -40°C to 125°C (no freezing) |
| Mechanical Life Expectancy | • 10,000,000 operations |
| Approvals | • ELV-2000/53/EC, RoHS compliant |

DIMENSIONS



* Terminal size: 2.8mm; Specifications of contact ratings are for resistive load.

PART NUMBERS

| Part No. | Voltage | Amperage | Protection | Description |
|----------------|-----------|------------------------------|------------------------|----------------------------------------------------------------|
| QV898H1CHCRI12 | • 12 Volt | • N/O: 50A, N/C: 30A (14VDC) | • ½W 680 Ohm Resistor | • 12V, 50/30A change over 5 pin mini relay. Resistor protected |
| QV898H1CHCRI24 | • 24 Volt | • N/O: 20A, N/C: 15A (28VDC) | • ½W 2.7K Ohm Resistor | • 24V, 20/15A change over 5 pin mini relay. Resistor protected |