

27W High Powered Square LED Worklight - Euro Beam

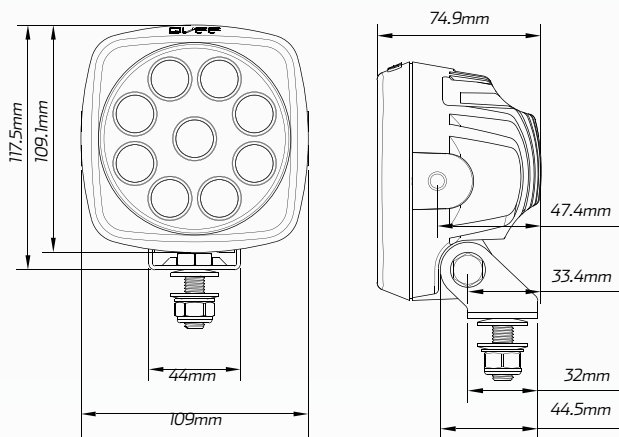
#QV9L28E

www.qvee.com.au

DESCRIPTION

The QVEE 27W high powered square LED worklight has 9 x 3W high powered CREE LED's, putting out a massive 2,700 lumens.

This lamp is rugged and extremely robust to suit extreme conditions. Suits mining, transport, earthmoving, the serious 4WD enthusiast or any heavy duty application.



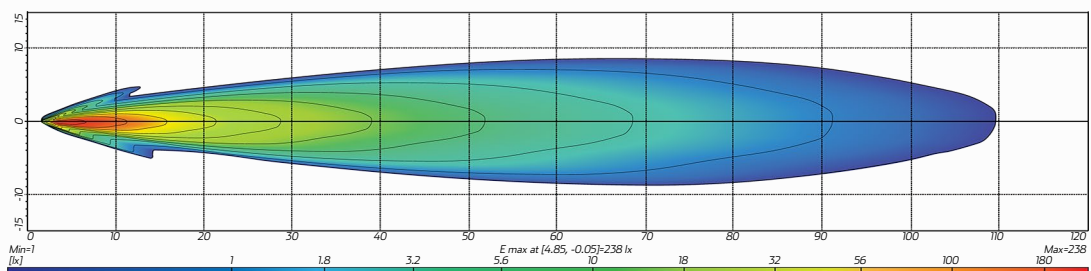
ACCESSORIES

- 1 x DT Deutsch Connector
- Stainless Steel Brackets

EURO



BEAM COVERAGE



TECHNICAL SPECIFICATIONS

Voltage	• 9 - 32 Volt / 27W
IP Rating	• IP68 Rated
Lumens	• Raw: 2,700lm / Effective: 2,000lm
LED Count	• 9 x 3W High Powered CREE LED's
Lens	• Polycarbonate Lens

Beam Coverage	• Euro Beam
Colour Temperature	• 6,000K
Accessories	• Stainless Steel Brackets • 1 x DT DEUTSCH Plug Connector
Dimensions	• 109mm L x 117.5mm H x 74.9mm D