



27W High Powered Square LED Worklight - Flood Beam

#QV9L28WF

www.qvee.com.au

DESCRIPTION

The QVEE 27W high powered square LED worklight has 9 x 3W high powered CREE LED's, putting out a massive 2,700 lumens. Heavy duty die-cast with virtually unbreakable polycarbonate lens.

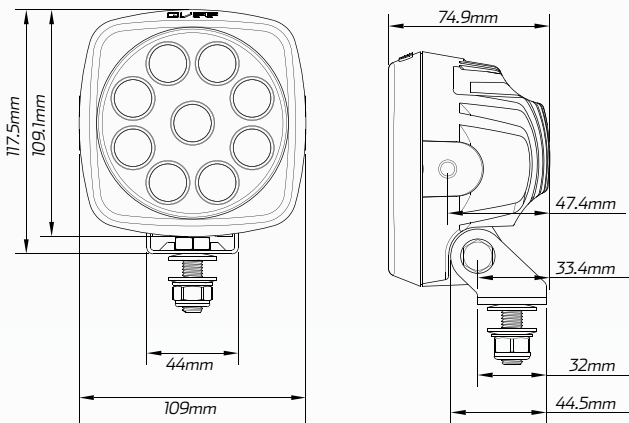
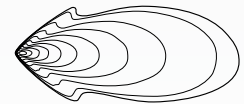
This lamp is rugged and extremely robust to suit extreme conditions. Suits mining, transport, earthmoving, the serious 4WD enthusiast or any heavy duty application.



ACCESSORIES

- 1 x DT Deutsch Connector
- Stainless Steel Brackets

FLOOD



TECHNICAL SPECIFICATIONS

Voltage	• 9 - 32 Volt / 27W
IP Rating	• IP68 Rated
Lumens	• Raw: 2,700lm / Effective: 2,000lm
LED Count	• 9 x 3W High Powered CREE® LED's
Lens	• Polycarbonate Lens
Beam Coverage	• Flood Beam
Colour Temperature	• 6000 K
Accessories	• Stainless Steel Brackets • 1x DT DEUTSCH Connector
Dimensions	• 109mm L x 117.5mm H x 74.9mm D

BEAM COVERAGE

