



## Heavy Duty LED Bullbar Indicator Lamp

#QVBBAA

www.qvee.com.au



### DESCRIPTION

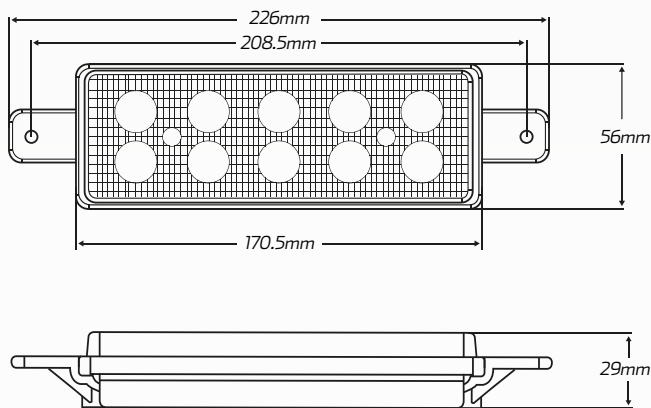
Heavy duty universal LED bullbar indicator. Fully ADR compliant. Comes with two different mounting options to suit various applications. Also fits most TJM and factory Nissan bullbars.

### ACCESSORIES

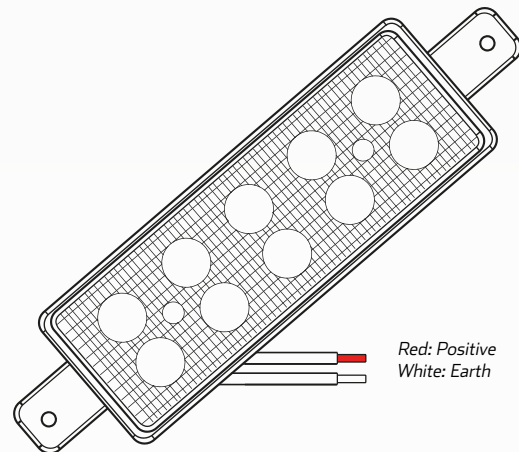
- Fitting Nuts

### WIRING CONFIGURATION

#### DIMENSIONS



#### WIRING DESIGNATION



\*To avoid warranty issues QVEE recommends our products to be fitted by a qualified auto electrician.

### TECHNICAL SPECIFICATIONS

<b>Voltage</b>	• 9 - 32 Volt
<b>IP Rating</b>	• IP68 Rated
<b>Colour Temperature</b>	• 6000 K
<b>Approvals</b>	• ADR Compliant

<b>Housing</b>	• Polycarbonate
<b>Lens</b>	• Polycarbonate
<b>LED Count</b>	• 10 x High Powered LED's
<b>Dimensions</b>	• 226mm L x 56mm H x 29mm D