



Heavy Duty LED Bullbar Indicator Park Lamp

#QVBBAWS

www.qvee.com.au



DESCRIPTION

The QVEE QVBBAWS has been specifically designed to suit the ever popular ARB bullbars.

The lamp uses two bolt mounting and incorporates both indicator and park lamp functions.

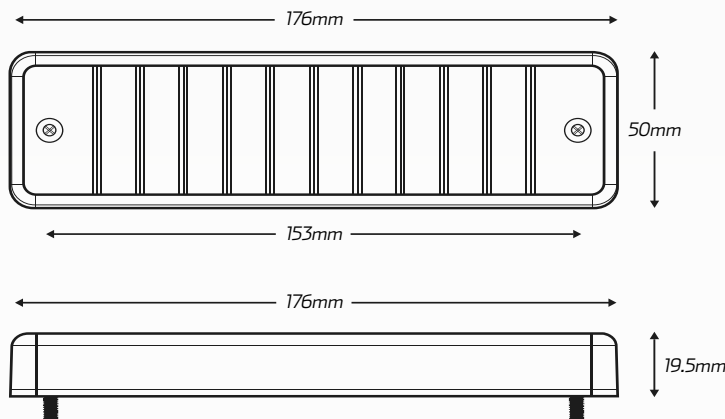
ADR Approved. Comes with a 3 year warranty.



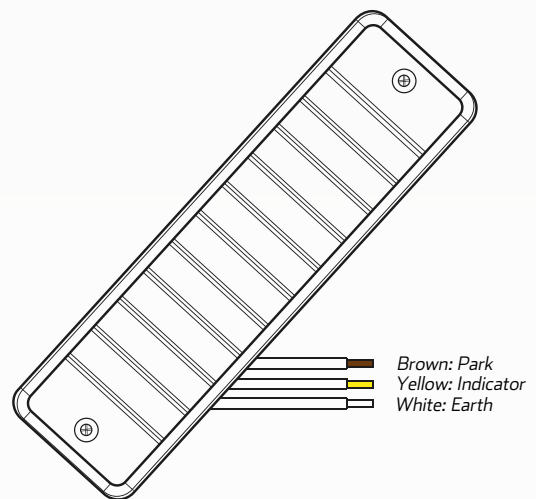
ARB BULLBAR SET-UP

- Registered design
- Clear lens when not illuminated

DIMENSIONS



WIRING DESIGNATION



*To avoid warranty issues QVEE recommends our products to be fitted by a qualified auto electrician.

TECHNICAL SPECIFICATIONS

Voltage	• 9 - 32 Volt	Approvals	• ADR Compliant
IP Rating	• IP68 Rated	Function	• Indicator & Park Light
Colour Temperature	• 6000 K	LED Count	• 30 x High Powered LED's
Lens Material	• Polycarbonate Lens	Mounting	• 153mm Centre to Centre
Housing Material	• Polycarbonate	Dimensions	• 176mm L x 50mm H x 19.5mm D