

4 Position Rotary Battery Isolator Switch

#QVBI3004P

www.qvee.com.au



DESCRIPTION

12 - 24V, 4 position rotary style battery isolator switch.

Features brass terminals and silver plated contacts. 300A continuous @ 12V, 1000A intermittent @ 12V for 5 seconds. Pre-cut sides allow wires to be installed in the desired position. Suited for marine vehicles.

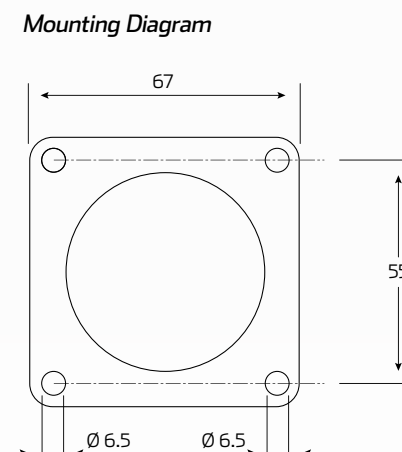
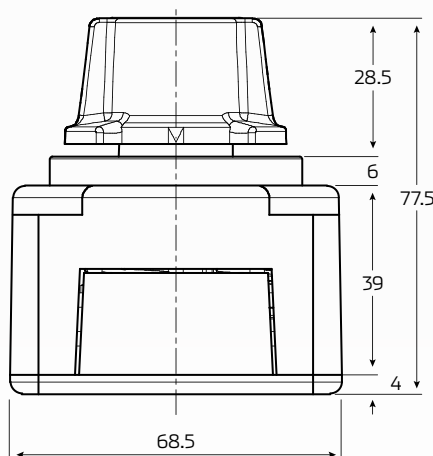
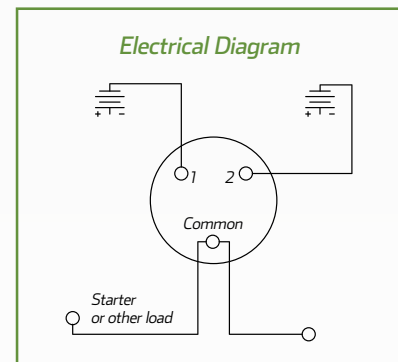
TECHNICAL SPECIFICATIONS

Features:

- 300A continuous current rating
- Silver-plated copper M10 contacts
- Panel mount with 52mm key/handle exit hole
- IP54 waterproof protection

Applications:

- Marine
- Agricultural
- Off-road
- Emergency vehicles



Dimensions:

- Width: 68.5mm
- Length: 68.5mm
- Height: 77.5mm
- Switch Ø: 45mm

*All measurements are in mm

| | |
|----------------------|--|
| Voltage | • 12 - 24 Volt DC |
| Amperage | • 300 Amp |
| Intermittent Current | • 1000A at 5 seconds |
| Contact Position | • SPST |
| Mounting | • Panel mount, 55mm (centre to centre) |
| IP Rating | • IP54 rated |

| | |
|-----------------------|----------------------------------|
| Terminal Nuts | • M10 brass |
| Contact Material | • Silver plated copper |
| Position | • Knob: 1/2/1+2/Off |
| Operating Temperature | • -40°C to 50°C |
| Switch Type | • Fixed knob (battery selector) |
| Dimensions | • 68.5mm L x 68.5mm W x 77.5mm H |