

Feed Through Insulated Terminal Stud

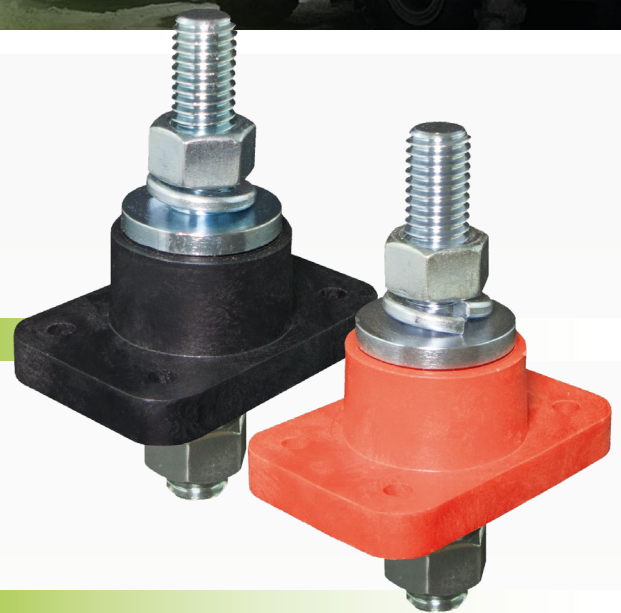
Sold Individually

www.qvee.com.au

DESCRIPTION

The QVC1925 provides ground or power connection points for AC or DC circuits. The housing is constructed from hard wearing thermoplastic.

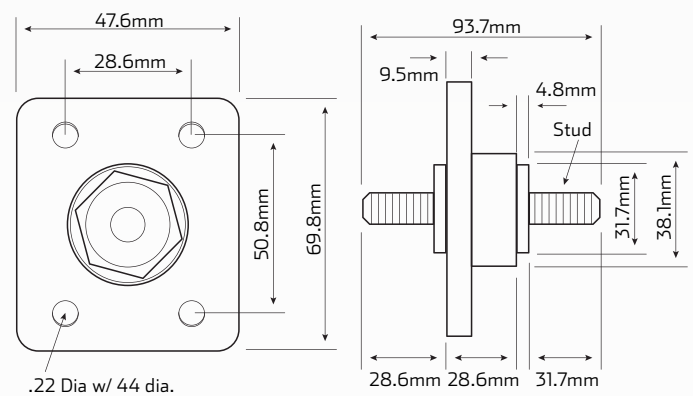
Ideal for vehicle electrical systems, transformers, communication and computer power sections.



TECHNICAL SPECIFICATIONS

Electrical Application	• AC / DC suitable
Termination Style	• Threaded stud
Thread/Stud Size (250A)	• 1/2"-13
Thread/Stud Size (400A)	• 3/8"-16
Housing Material	• Thermoplastic
Stud Material (250A)	• Tin plated steel
Stud Material (400A)	• Zinc plated steel
Mounting Style	• Panel mount
Mounting Torque Rating	• 5.4Nm max
Accessories	• Nuts & washers provided

DIMENSIONS



*Mounting bolts are not included.

PART NUMBERS

Part No.	Colour	Amperage	Stud Plating	Description
QVC1925-2	• Red	• 250 Amps	• Tin plated	• 250 Amp heavy duty feed through insulated terminal stud - red housing
QVC1925-2B	• Black	• 250 Amps	• Tin plated	• 250 Amp heavy duty feed through insulated terminal stud - black housing
QVC1925	• Red	• 400 Amps	• Zinc plated	• 400 Amp heavy duty feed through insulated terminal stud - red housing
QVC1925B	• Black	• 400 Amps	• Zinc plated	• 400 Amp heavy duty feed through insulated terminal stud - black housing