



400A Insulated Terminal Stud

Sold Individually

www.qvee.com.au

DESCRIPTION

The QVC1933 provides ground or power connection points for AC or DC circuits. The housing is constructed from hard wearing thermoplastic.

Ideal for vehicle electrical systems, transformers, communication and computer power sections.

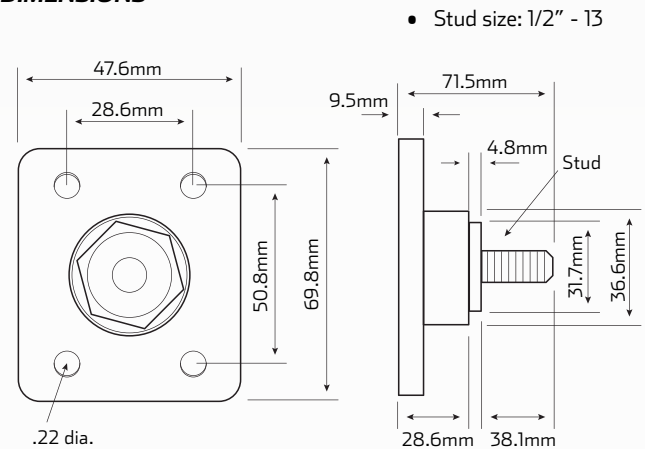
This heavy duty single stud is rated up to 400A.



TECHNICAL SPECIFICATIONS

Electrical Application	• AC / DC suitable
Termination Style	• Threaded stud
Thread/Stud Size	• 1/2" - 13
Housing Material	• Thermoplastic
Stud Material	• Zinc plated steel
Mounting Style	• Panel mount
Mounting Torque Rating	• 5.4Nm max
Accessories	• Nuts & washers provided

DIMENSIONS



*Mounting bolts are not included.

PART NUMBERS

Part No.	Colour	Amperage	Mount	Description
QVC1933	• Black	• 400 Amps	• Panel Mount	• 400 Amp heavy duty single insulated terminal stud - black housing
QVC1933R	• Red	• 400 Amps	• Panel Mount	• 400 Amp heavy duty single insulated terminal stud - red housing