

## LED Mini Blade Fuse Block

#QVFBM10LED

www.qvee.com.au



### DESCRIPTION

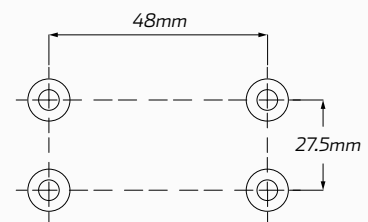
10 way LED fuse box to suit mini blade fuses.  
Features a transparent cover and 6.3mm blade terminal connections. Has a single power in.

### FEATURES

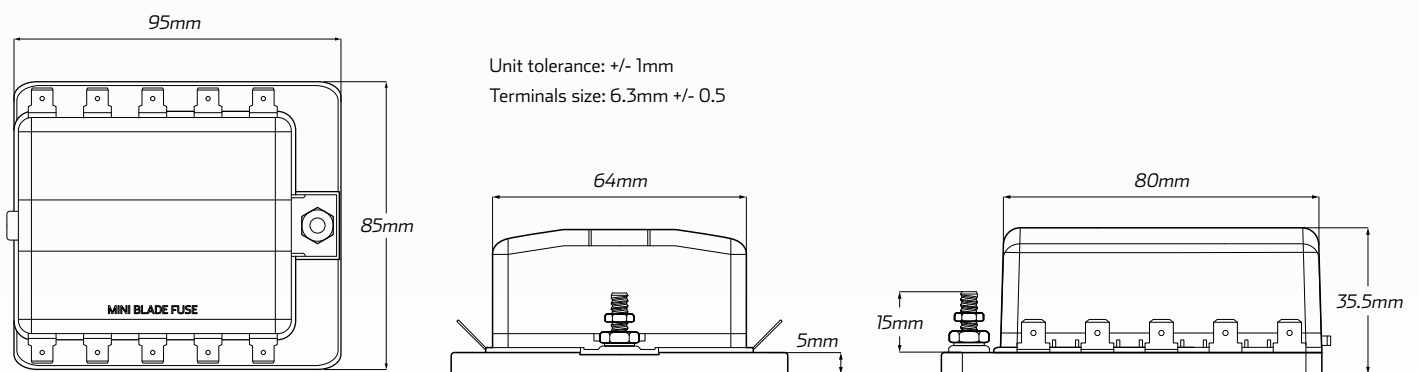
- Maximum voltage of 32V DC
- PBT base with polycarbonate cover
- Copper tin plated terminal connections
- 10-32 stud input terminal with hexnut & washer
- Fuses are not included

### Mounting Dimensions

Unit tolerance: +/- 1mm  
Mounting torque: 0.9Nm max



### DIMENSIONS



### TECHNICAL SPECIFICATIONS

<b>Voltage</b>	• 32 Volt DC max	<b>Output / Wire</b>	• 6.3mm terminal / #12-16AWG wire
<b>Current Rating</b>	• 30A per circuit, 100A max per block	<b>Input / Wire</b>	• 10-32 stud terminal / #4-6AWG wire
<b>Materials</b>	• PBT base with polycarbonate cover	<b>Torque Rating</b>	• 2.25Nm max
<b>Terminal Material</b>	• Copper with tin plating	<b>Mounting Torque</b>	• 0.9Nm max