

10W High Powered Driving Light with DRL Function

QVFLARB

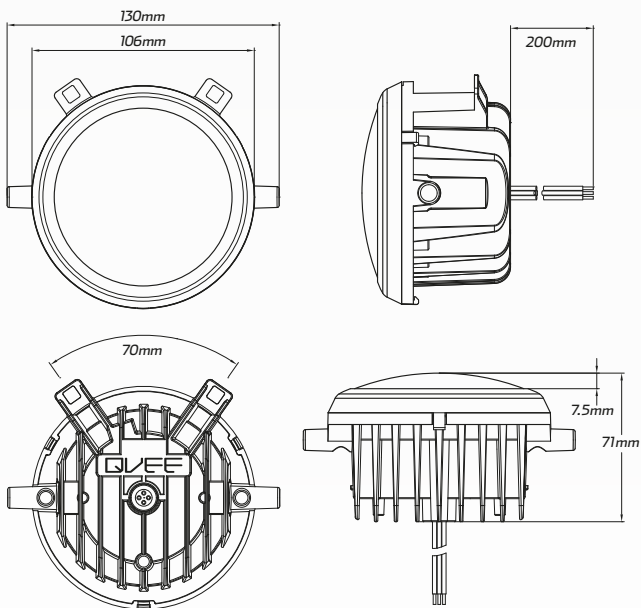
www.qvee.com.au

DESCRIPTION

The QVFLARB driving light has been specifically designed to suit and replace the standard halogen lamp in ARB Bullbars. Its streamlined design, coupled with its DRL function, provides a brilliant driving light.

The QVFLARB also compliments the QVBBAWS LED bullbar lamp which is also designed to suit the ARB Bullbar.

DIMENSIONS



*Specifically designed to suit ARB Deluxe Bullbars.



TECHNICAL SPECIFICATIONS

Voltage	• 10-30 Volt	Lumen Rating	• DRIVING - 500 Lumens, DRL - 420 Lumens
IP Rating	• IP68 Rated	Kelvin Rating	• 6000 ± 300K
LED Wattage	• DRIVING - 10W, DRL - 2W	Lens Material	• Polycarbonate Lens