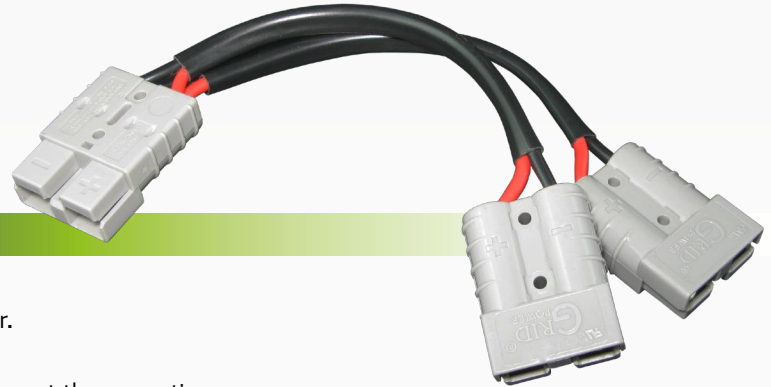




50A Twin Anderson Adapter

#QVLSY50X2

www.qvee.com.au



DESCRIPTION

Heavy duty twin 50A Anderson style battery connector. Wired with 6mm twin sheathed high current cable.

Designed to allow the powering of 2 high draw appliances at the same time.

Made in Australia.

FEATURES

- 3 x 50 Amp Anderson connectors
- 6mm twin sheathed cable for high current devices
- Designed to run two appliances from one source of power
- Suitable for use with fridges & other high powered devices
- Australian made



Caravans & Campers

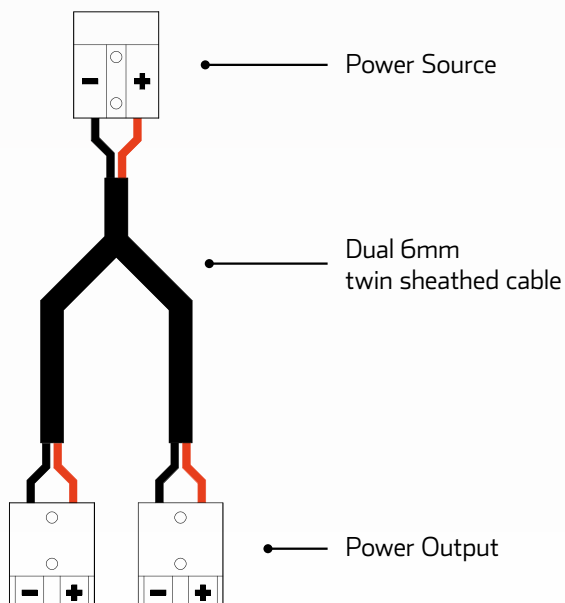


Solar panels



Batteries

TECHNICAL SPECIFICATIONS



Suitable Voltage	• 12 / 24 Volt applications
Withstanding Voltage	• 600 Volt (Anderson plug only)
Amperage	• 50 Amps
Cable Size	• 6mm twin sheathed cable
Cable Length	• 160mm
Cable Connector	• Input: 50A 600V Anderson style plug • Output: 2 x 50A 600V Anderson style plug
Applications	• Caravans & campers, batteries, fridges & high powered devices, solar panels