



Midi Fuse Block With 40 Amp Fuse

#QVMIDFB4OBL

www.qvee.com.au

DESCRIPTION

Heavy duty midi fuse holder with 40 Amp fuse.
Suitable for inline or surface mount applications.
Includes cover and hex nuts.

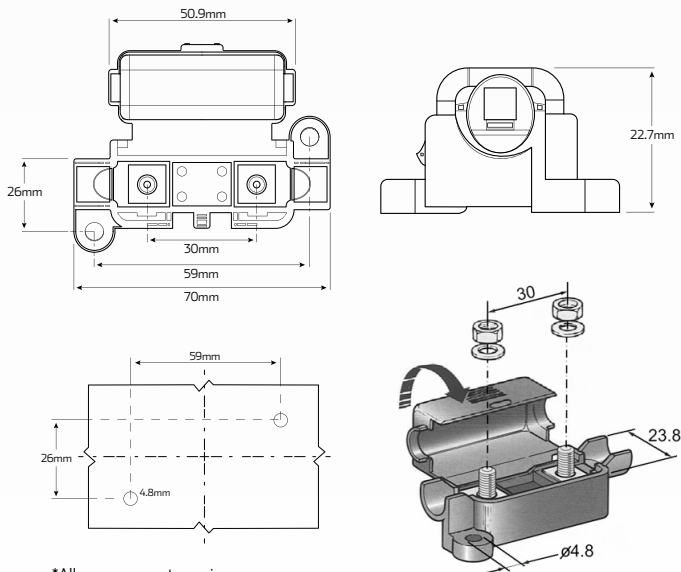


TECHNICAL SPECIFICATIONS (QVMID40)

| | |
|-----------------------|--------------------|
| Fuse I.R | • 1000 Amps |
| Fuse Voltage | • 58 Volt DC |
| Fuse Amperage | • 40 Amp fuse |
| Fuse Mounting | • M5 Studs |
| Fuse Approvals | • ISO 8820-5, RoHS |

| % Amperage Rating | Opening Time | |
|-------------------|--------------|-------------|
| | Min. Time | Max. Time |
| 100% | 100 hours | - |
| 110% | 4 hours | - |
| 150% | 90 seconds | 1 hour |
| 200% | 3 seconds | 100 seconds |
| 300% | 0.3 seconds | 3 seconds |
| 500% | 0.1 seconds | 1 second |

TECHNICAL SPECIFICATIONS (QVMIDFBB)



*All measurements are in mm

| | |
|------------------------------|---|
| Withstanding Voltage | • Up to 58 Volt DC |
| Max. Amperage | • 125 Amps |
| Fuse Holder Material | • Black PA66, steel / zinc plated studs |
| Accessories | • Includes cover & hex nuts |
| Stud Size | • M5 threaded studs. |
| Dimensions | • 70mm L x 22.7mm H (when closed) |
| Fuse Holder Mounting | • 59mm x 26mm CTC, Ø 4.8mm hole |
| Fuse Holder Approvals | • RoHS |