



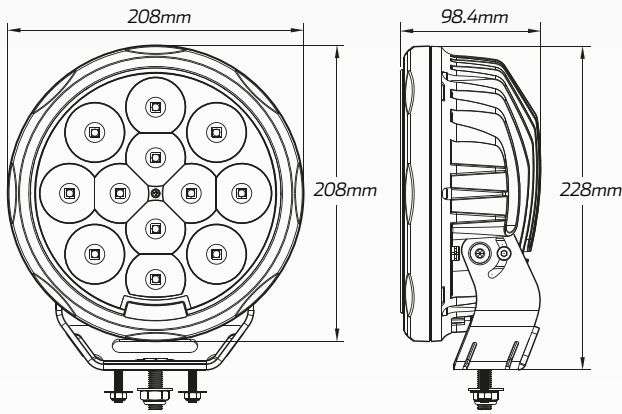
120W High Powered Round LED Spotlight - Spot Beam

#QVSL120SV2

www.qvee.com.au

DESCRIPTION

The all new V2 SL120 series LED Spotlight really packs a punch with 12 x high powered 10W LED's sunk into deep dish reflectors. This lamp pumps out 850m worth of light at 1 LUX.

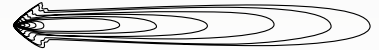


Now supplied with mounting bracket anti-theft bolt

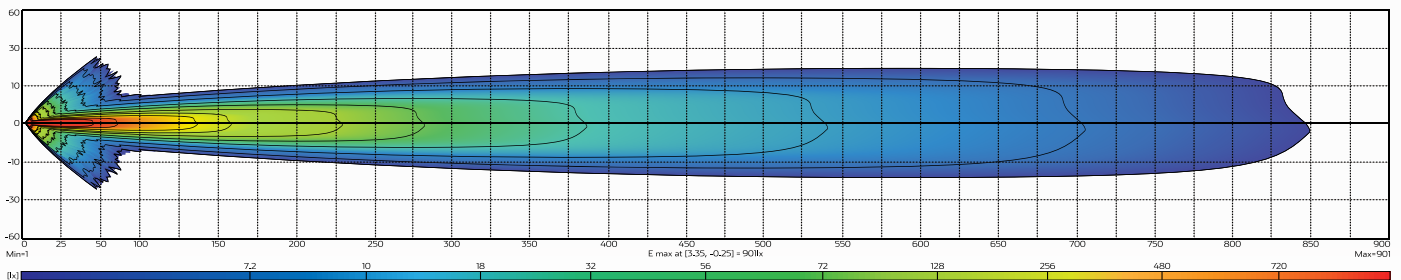
ACCESSORIES

- 1 x Waterproof Connector
- 3mm Thick Stainless Steel Bracket
- Clear Polycarbonate Protective Cover

SPOT



BEAM COVERAGE



TECHNICAL SPECIFICATIONS

Voltage	• 9-32 Volt
IP Rating	• IP68 Rated
Lumens	• Raw: 10,800lm / Effective: 8,000lm
Wattage	• 120 Watt
LED Count	• 12 x 10W High Powered CREE® LED's

Lens	• Polycarbonate Lens
Beam Coverage	• Spot Beam
Colour Temperature	• 6000 K
Accessories	<ul style="list-style-type: none"> • 1 x Waterproof Connector • 3mm Thick Stainless Steel Bracket • Clear Protective Polycarbonate Lens