



170mm Round LED Driving Light - Spot Beam

#QVSL7601

www.qvee.com.au

DESCRIPTION

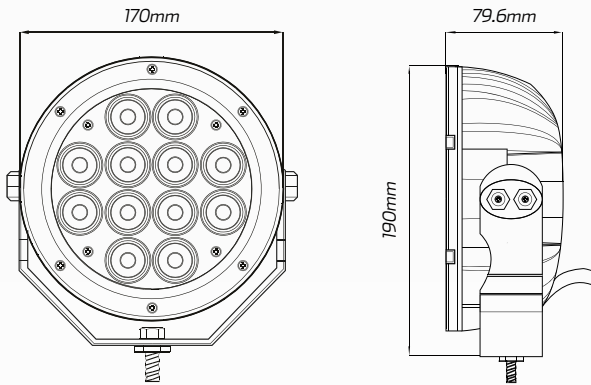
The QVSL7601 is a 60W high powered LED spot beam driving light equipped with 12 x 5W high quality CREE LED's with a colour temperature of 6000K. Comes supplied with a clear polycarbonate cover.

TECHNICAL SPECIFICATIONS

DIMENSIONS

ECE R10

ECE R112



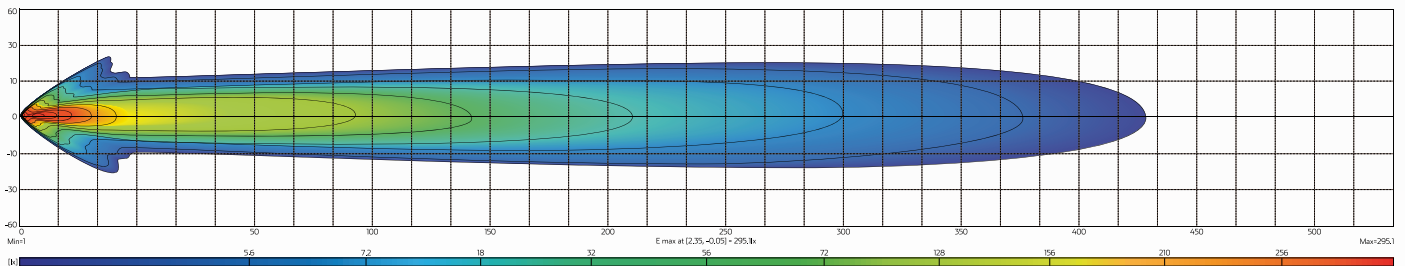
ACCESSORIES

- 1 x Waterproof Connector
- 1 x Polycarbonate Protective Clear Cover

SPOT



BEAM COVERAGE



LED Count	• 12 x 5W CREE® LED's	Effective Lumens	• 3,600 Lumens
Voltage	• 10 - 32 Volt	Beam Coverage	• Spot Beam
Lens Material	• Polycarbonate Lens	IP Rating	• IP67 Rated
Wattage	• 60 Watt	Colour Temperature	• 6000 K
Raw Lumens	• 5,040 Lumens	Approvals	• ECE R10, ECE R112