

220mm Round LED Driving Light - Spot Beam

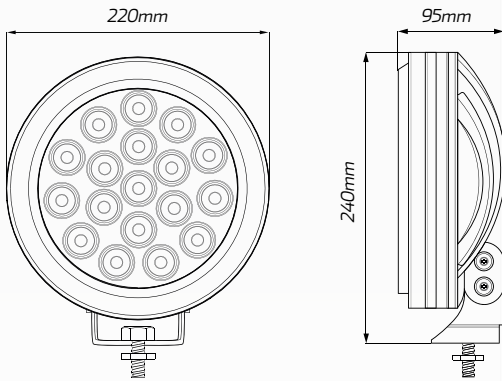
#QVSL9108

www.qvee.com.au

DESCRIPTION

The QVSL9108 is a 108W high powered LED spot beam driving light equipped with 18 x 6W high quality CREE LED's with a colour temperature of 6000K. Comes supplied with a clear polycarbonate cover

DIMENSIONS

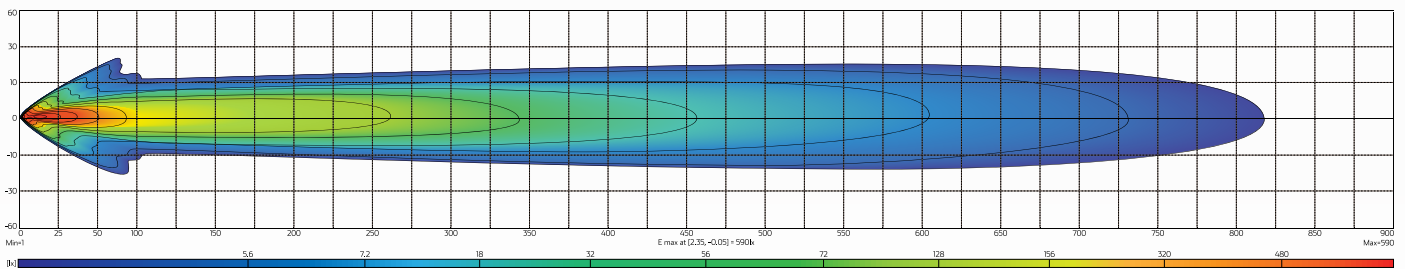


ACCESSORIES

- 1 x Waterproof Connector
- 1 x Polycarbonate Protective Clear Cover



BEAM COVERAGE



TECHNICAL SPECIFICATIONS

LED Count	• 18 x 6W CREE® LED's	Lumens Output	• Raw: 11,700lm / Effective: 9,100lm
Voltage	• 12 - 48 Volt DC	Beam Coverage	• Driving / Spot Beam
Lens Material	• Polycarbonate lens	IP Rating	• IP67 Rated
Wattage	• 108 Watt	Colour Temperature	• 6000 K