

220mm Round LED Driving Light - Spot Beam

#QVSL9180

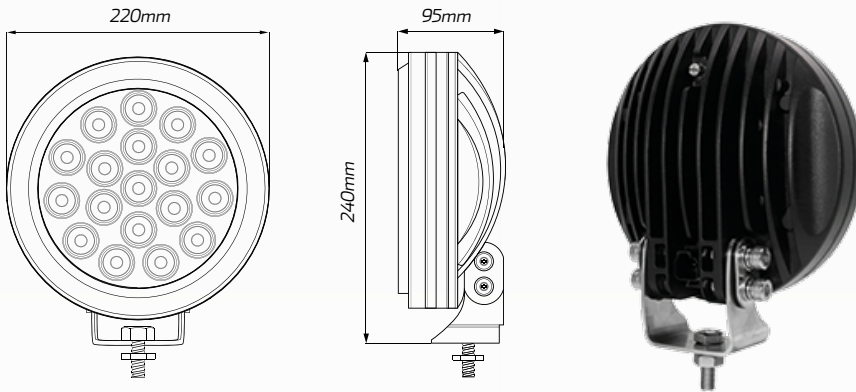
www.qvee.com.au

DESCRIPTION

The QVSL9180 is a 180W high powered LED spot beam driving light equipped with 18 x 10W high quality CREE LED's with a colour temperature of 6000K. Comes supplied with a clear polycarbonate cover



DIMENSIONS

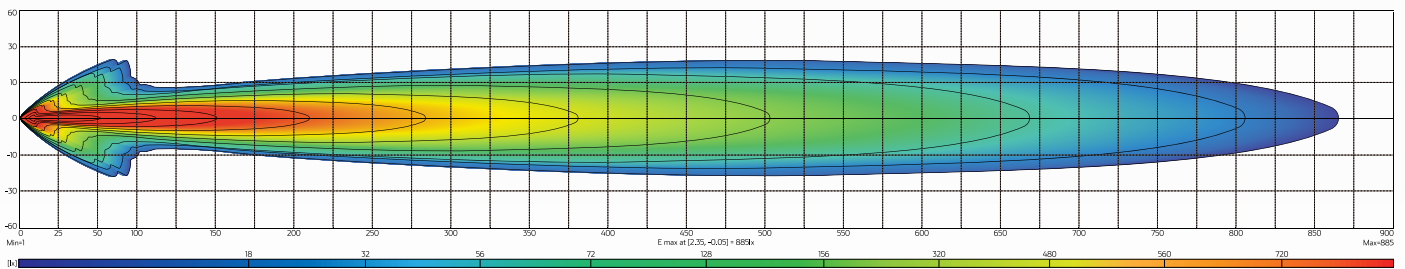


ACCESSORIES

- 1 x Waterproof Connector
- 1 x Polycarbonate Protective Clear Cover



BEAM COVERAGE



TECHNICAL SPECIFICATIONS

| | | | |
|----------------------|------------------------|---------------------------|---------------------------------------|
| LED Count | • 18 x 10W CREE® LED's | Lumens Output | • Raw: 16,560lm / Effective: 11,000lm |
| Voltage | • 12 - 48 Volt DC | Beam Coverage | • Driving / Spot Beam |
| Lens Material | • Polycarbonate Lens | IP Rating | • IP67 Rated |
| Wattage | • 180 Watt | Colour Temperature | • 6000K |