



Small Toyota Style USB Insert & Volt Meter

#QVSWPRUSBV - BULK

#QVSWPRUSBVBL - BLISTER PACK

www.qvee.com.au

DESCRIPTION

The QVSWPRUSBV USB insert with volt meter are designed as a direct replacement for Toyota Prado & 200 series LandCruisers.

Comes with wiring harness and has a Blue LED illumination.

Great look for any fit out.

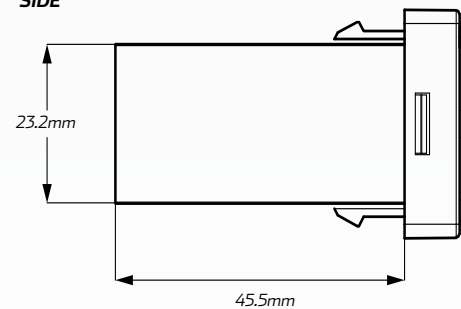


TECHNICAL SPECIFICATIONS

Flame Retardant Rating	• UL94 - V0
Voltage Input	• 12V Input
Amperage Rating	• 3 A
LED Current Draw	• Less than 0.25 W
LED Colour	• Blue LED Illumination
Applications	• 4WD's, RV's, ATV's, Cars, Trucks, Agricultural Machinery, Earthmoving Equipment.

DIMENSIONS

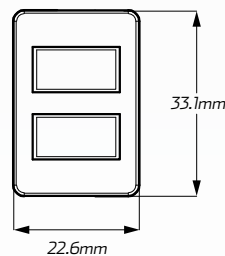
SIDE



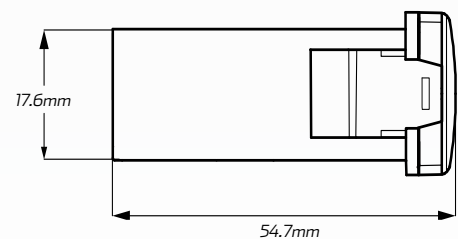
MODEL

- 2016 Hilux
- 2015 - Current Tundra
- 2010 - Current Prado 150
- 2008 - Current 200 Series Landcruiser

FRONT



TOP



WIRING HARNESS

Power Input (AUX): Red

Ground (AUX): Black

Power Input (MAIN): Red

Ground (MAIN): Black

