



7 Pin EBS Trailer Plug

#QVTP7EBSMV

www.qvee.com.au



DESCRIPTION

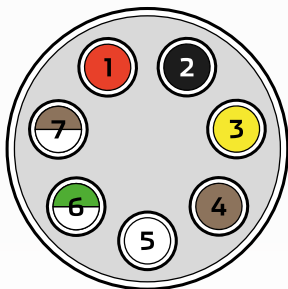
7 pin EBS trailer plug.

Made out of reinforced composite with IP54 dust and water protection.
9 - 16mm² cable entry. Suitable for 12 & 24V applications. Made in Germany.

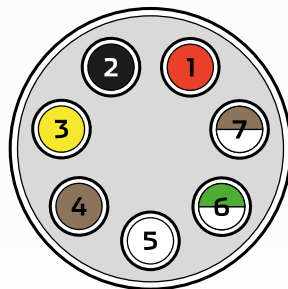
TECHNICAL SPECIFICATIONS

No. of Contact	• 7 pin
Voltage	• 12 - 24 Volt
Application	• ABS / EBS
Housing Material	• Reinforced composite
Housing Colour	• Black
IP Rating	• IP54 rated

Sealing Plug	• Yes
Sealing Plug Diameter	• Inner seal Ø 11-13mm, outer seal Ø 13-18mm
Cable Outlet	• Cable outlet 180°
Contact Termination	• Screw contact
Cable Entry	• 9 - 16mm ²



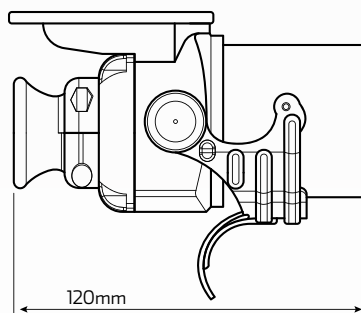
7 pin EBS Plug entry
Rear view



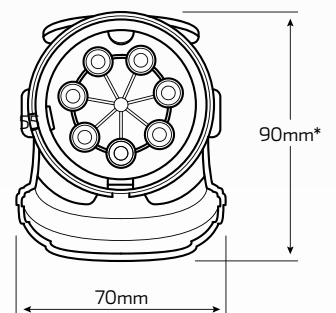
7 pin EBS socket entry
Rear view

1	• Electrovalve / control valve (positive; +)	• Red
2	• Ignition lock for electronics (positive; +)	• Black
3	• Electronics (negative; -)	• Yellow
4	• Electrovalve / control valve (negative; -)	• Brown
5	• Fault indication	• White
6	• Data line CAN H (High)	• White/Green
7	• Data line CAN L (Low)	• White/Brown

DIMENSIONS



Side View



Front View

*When metal is not extended

