

7 Pin EBS Trailer Socket

#QVTS7EBS24

www.qvee.com.au



DESCRIPTION

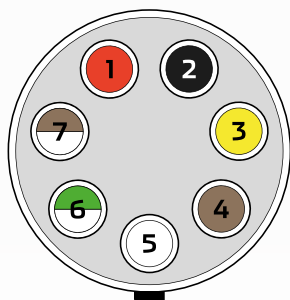
7 pin EBS trailer socket with dust cover.

Made out of reinforced composite with IP54 dust and water protection. 9 - 16mm² cable entry. Suitable for 24V applications. Made in Germany.

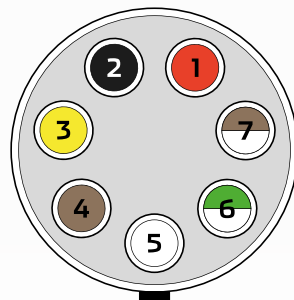
TECHNICAL SPECIFICATIONS

No. of Contacts	• 7 pin
Voltage	• 24 Volt
Application	• ABS / EBS
Housing Material	• Reinforced composite
Housing Colour	• Black
IP Rating	• IP54 rated

Cover Material	• Reinforced composite
Cover Colour	• Black
Cable Outlet	• Cap nut, cable outlet 180°, bayonet coupling
Contact Termination	• Screw contacts
Type of Seal	• Screw cap
Cable Entry	• 9 - 16mm ²



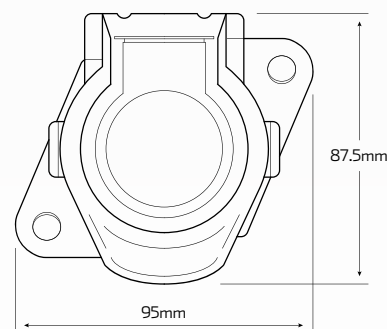
7 pin EBS Plug entry
Rear view



7 pin EBS socket entry
Rear view

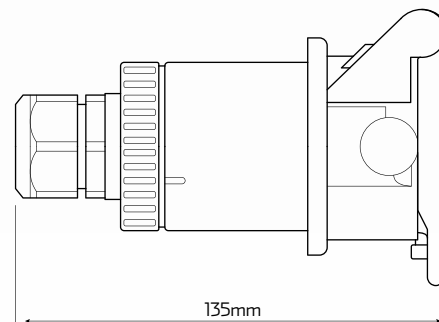
1	• Electrovalve / control valve (positive; +)	• Red
2	• Ignition lock for electronics (positive; +)	• Black
3	• Electronics (negative; -)	• Yellow
4	• Electrovalve / control valve (negative; -)	• Brown
5	• Fault indication	• White
6	• Data line CAN H (High)	• White/Green
7	• Data line CAN L (Low)	• White/Brown

DIMENSIONS



- H: 87.5mm
 - W: 95mm
 - L: 135mm
 - Mounting: 90mm CTC*
- *+/-5mm tolerance

Front View



Side View