



10W High Powered LED Worklight - Flood Beam

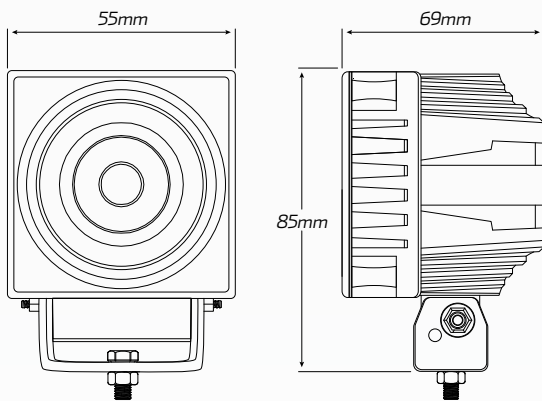
#QVWL10WF

www.qvee.com.au

DESCRIPTION

The QVEE 10W high powered LED worklight has 1 x 10W CREE LED, putting out a massive 900 lumens. Heavy duty die-cast housing with a virtually unbreakable hardened PMMA lens.

Ideal for all applications where high illumination is a must. Fitted with a waterproof connector and stainless steel fittings.

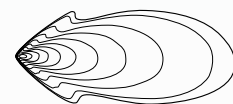


*Inter-lockable for additional LED power

ACCESSORIES

- 1 x Waterproof Connector
- Stainless Steel Brackets

FLOOD



TECHNICAL SPECIFICATIONS

| | |
|---------------------------|--|
| Voltage | • 9 - 48 Volt |
| IP Rating | • IP68 Rated |
| Lumens | • Raw: 900lm / Effective: 750lm |
| LED Count | • 1 x 10W High Powered CREE LED |
| Lens | • PMMA lens |
| Beam Coverage | • Flood Beam |
| Colour Temperature | • 6000 K |
| Dimensions | • 55mm L x 55mm H x 69mm D |
| Shock Rating | • 60G |
| Accessories | • 1 x Waterproof Connector • Stainless Steel Brackets |

BEAM COVERAGE

