

## 10W High Powered LED Worklight - Spot Beam

#QVWL10WS

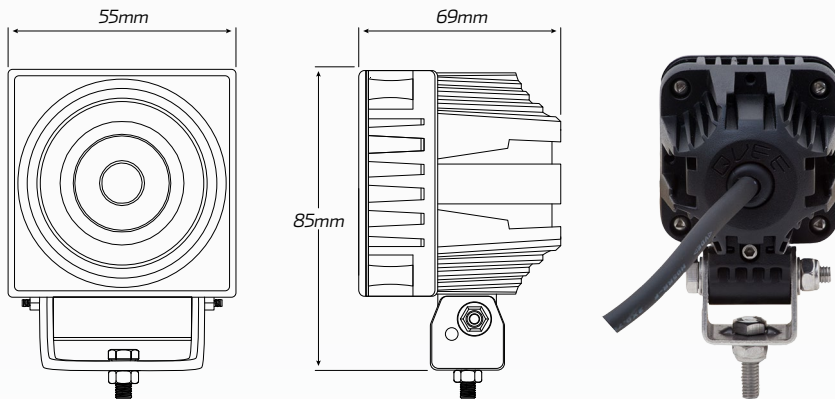
www.qvee.com.au



### DESCRIPTION

The QVEE 10W high powered LED worklight has 1 x 10W CREE LED, putting out a massive 900 lumens. Heavy duty die-cast housing with a virtually unbreakable hardened PMMA lens.

Ideal for all applications where high illumination is a must. Fitted with a waterproof connector and stainless steel fittings.



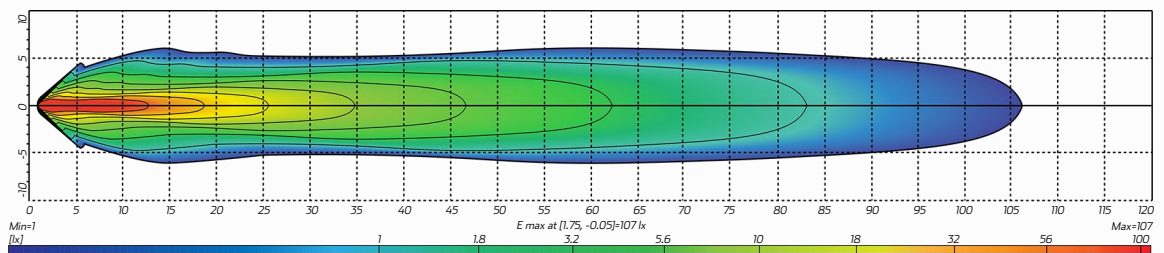
### ACCESSORIES

- 1 x Waterproof Connector
- Stainless Steel Brackets



\*Inter-lockable for additional LED power

### BEAM COVERAGE



### TECHNICAL SPECIFICATIONS

<b>Voltage</b>	• 9 - 48 Volt / 10W
<b>IP Rating</b>	• IP68 Rated
<b>Lumens</b>	• Raw: 900lm / Effective: 750lm
<b>LED Count</b>	• 1 x 10W High Powered CREE LED
<b>Lens</b>	• PMMA Lens

<b>Beam Coverage</b>	• Spot Beam
<b>Colour Temperature</b>	• 6,000K
<b>Accessories</b>	• 1 x Waterproof Connector • Stainless Steel Brackets
<b>Dimensions</b>	• 55mm L x 55mm H x 69mm D