

120W High Powered Oval LED Worklight - Spot Beam

#QVWL120S

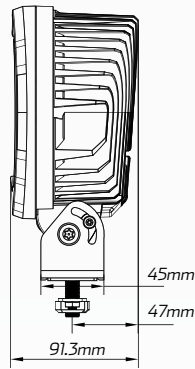
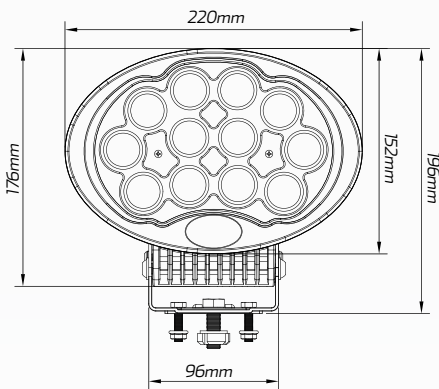
www.qvee.com.au

DESCRIPTION

The QVEE 120W high powered LED worklight has 12 x 10W high powered CREE LED's, putting out a huge 10,800 lumens.

Heavy duty die-cast housing, unique heatsink for heat dispersion and virtually unbreakable polycarbonate lens.

Suits mining, transport, earthmoving, the serious 4WD enthusiast or any heavy duty application where high illumination and reliability is a must.

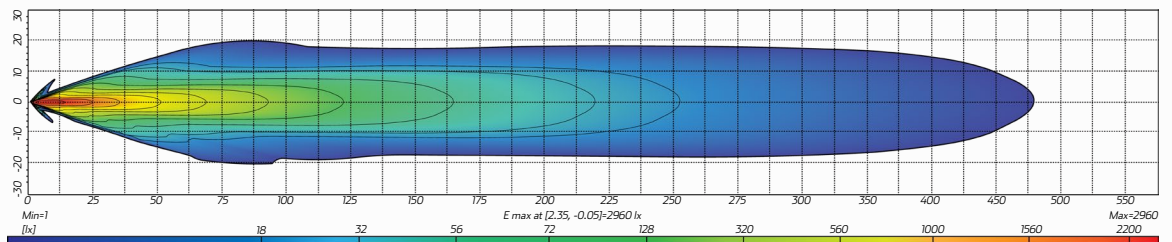


ACCESSORIES

- 1 x DT Deutsch Connector
- Clear Protective Polycarbonate Cover
- Stainless Steel Brackets



BEAM COVERAGE



TECHNICAL SPECIFICATIONS

| | |
|------------------|------------------------------------|
| Voltage | • 9 - 32 Volt |
| IP Rating | • IP68 Rated |
| Lumens | • 10,800 Lumens - 120W |
| LED Count | • 12 x 10W High Powered CREE LED's |
| Lens | • Polycarbonate Lens |

| | |
|---------------------------|--|
| Beam Coverage | • Spot Beam |
| Colour Temperature | • 6000K |
| Accessories | • Stainless Steel Brackets • Protective Polycarbonate Cover • 1 x DT DEUTSCH Connector |
| Dimensions | • 220mm L x 196mm H x 91.3mm D |