



18W High Powered Round LED Worklight - Flood Beam

#QVWL18WR

www.qvee.com.au

DESCRIPTION

The QVEE 18W high powered round LED worklight has 6 x 3W LED's, putting out a massive 900 lumens. Highly durable with powder coated aluminium housing and polycarbonate lens.

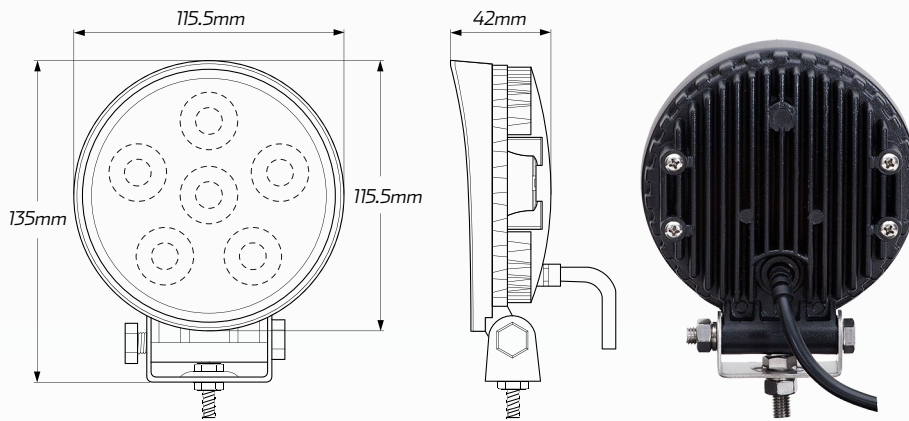
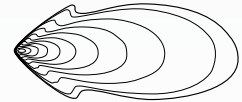
Ideal for all applications where high illumination is a must. Fitted with a waterproof connector and stainless steel fittings.



ACCESSORIES

- 1 x Waterproof Connector
- Stainless Steel Brackets

FLOOD



TECHNICAL SPECIFICATIONS

Voltage	• 10 - 30 Volt
IP Rating	• IP67 Rated
Lumens	• 900 Lumens - 18W
LED Count	• 6 x 3W LED's
Lens	• Polycarbonate Lens
Beam Coverage	• Flood Beam
Colour Temperature	• 6000 K
Accessories	• 1 x Waterproof Connector • Stainless Steel Brackets
Dimensions	• 115.5mm L x 135mm H x 42mm D

BEAM COVERAGE

