

20W High Powered LED Worklight - Spot Beam

#QVWL20S

www.qvee.com.au



DESCRIPTION

The QVEE 20W high powered LED worklight has 4 x 5W Osram LED's, putting out a massive 1,680 lumens.

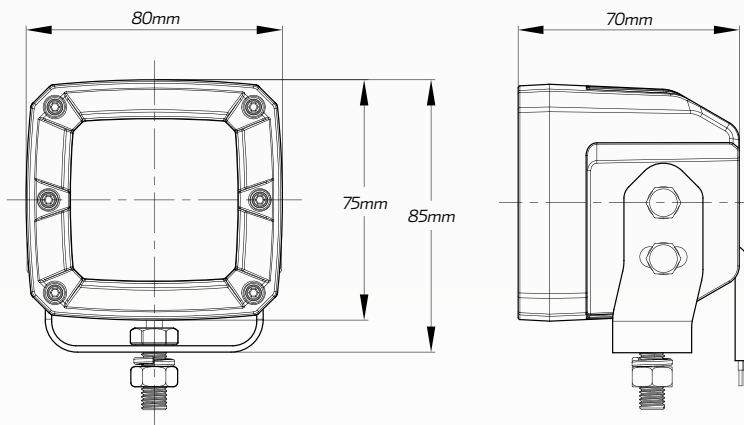
Heavy duty aluminium housing with a unique heatsink construction for heat dispersion and virtually unbreakable polycarbonate lens.

Fitted with a stainless steel mounting bracket. ECE Approved.

DIMENSIONS

IP67

ECE R10

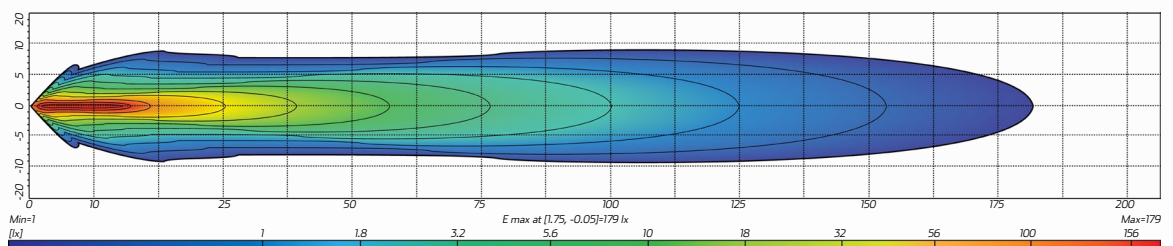


ACCESSORIES

- Stainless Steel Bracket & Fittings



BEAM COVERAGE



TECHNICAL SPECIFICATIONS

Voltage	• 10 - 32 Volt DC
Wattage	• 20 Watt
IP Rating	• IP67 Rated
Raw Lumens	• 1,680 Lumens
Effective Lumens	• 1,280 Lumens
LED Count	• 4 x 5W High Powered Osram LED's

Beam Coverage	• Spot Beam
Colour Temperature	• 5700 K
Housing Material	• Aluminium Housing
Lens Material	• Polycarbonate Lens
Dimensions	• 80mm L x 85mm H x 70mm D
Accessories	• Stainless Steel Bracket & Fittings