



## 27W High Powered Round LED Worklight - Flood Beam

#QVWL27WR

www.qvee.com.au

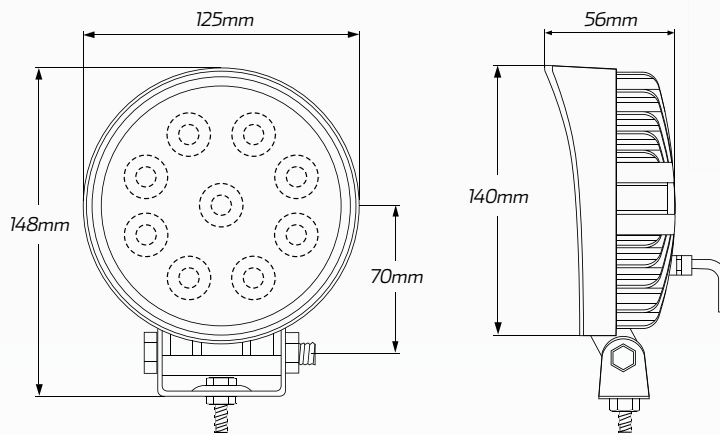
### DESCRIPTION

The QVEE 27W high powered round LED worklight has 9 x 3W LED's, putting out a massive 1400 lumens. Highly durable with powder coated aluminium housing and polycarbonate lens.

Ideal for all applications where high illumination is a must. Fitted with a DT Deutsch plug and stainless steel fittings.



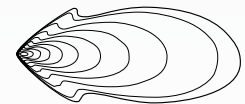
### DIMENSIONS



### ACCESSORIES

- DT Deutsch Plug
- Stainless Steel Brackets

### FLOOD



### TECHNICAL SPECIFICATIONS

<b>Voltage</b>	• 10 - 30 Volt
<b>IP Rating</b>	• IP67 Rated
<b>Lumens</b>	• 1400 Lumens - 27W
<b>LED Count</b>	• 9 x 3W LED's
<b>Lens</b>	• Polycarbonate Lens
<b>Beam Coverage</b>	• Flood Beam
<b>Colour Temperature</b>	• 6000 K
<b>Accessories</b>	• DT Deutsch Connector • Stainless Steel Brackets
<b>Dimensions</b>	• 125mm L x 148mm H x 56mm D

### BEAM COVERAGE

