



## 5" 20W High Profile LED Light Bar - Spot Beam

#QVWL2V10S

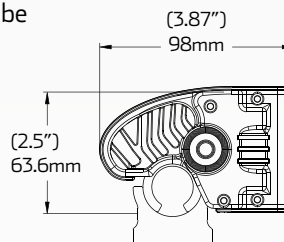
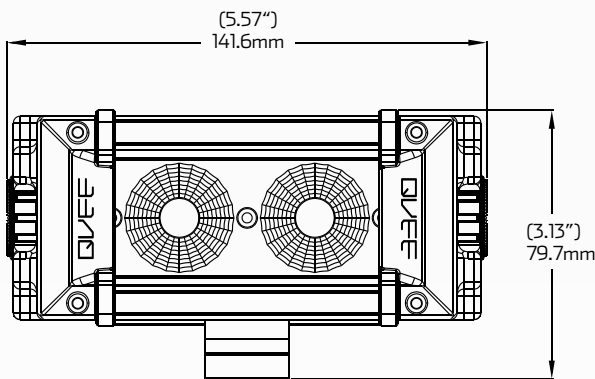
www.qvee.com.au

### DESCRIPTION

The QVWL2V10S 20W light bar uses high intensity 10W CREE LED's. This light has approximately a 50,000 hour life span on the LED's.

Ideal for mining, trucking or the serious 4WD enthusiast who'll be pushing the boundaries of lighting performance.

Optional side leg mounting are available as an optional extra.



For optional side leg mounting order P/N QVWLEGS



### ACCESSORIES

- 1 x Waterproof Connector
- 1 x Wiring Harness and Switch
- Channel Mounting



### TECHNICAL SPECIFICATIONS

Voltage	• 9 - 48 Volt
IP Rating	• IP68 Rated
Lumens Rating	• 1,800 Lumens - 20W
LED Count	• 2 x 10W High Powered CREE LED's
Lens Material	• Polycarbonate Lens

Beam Coverage	• Spot Beam
Colour Temperature	• 6000 K
Accessories	<ul style="list-style-type: none"> <li>• 1 x Waterproof Connector</li> <li>• 1 x Wiring Harness and Switch</li> <li>• Channel Mounting</li> </ul>

### BEAM COVERAGE

