

## 42W High Powered Square LED Worklight - Flood Beam

#QVWL42WF

www.qvee.com.au

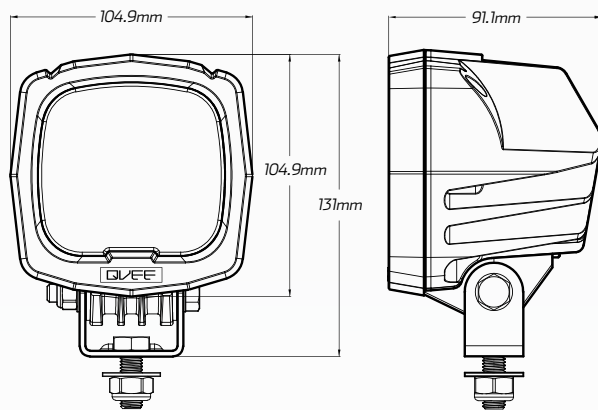


### DESCRIPTION

The QVEE 42W high powered LED worklight has 6 x 7W high powered CREE LED's, putting out a huge 4,000 lumens.

Heavy duty die-cast housing, unique heatsink for heat dispersion and virtually unbreakable polycarbonate lens.

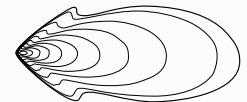
This high powered LED worklight will suit any heavy duty application and provide the ultimate in performance lighting.



### ACCESSORIES

- Built-in DT Connector
- 304 Stainless Steel Brackets

FLOOD



### TECHNICAL SPECIFICATIONS

Voltage	• 9 - 60 Volt
IP Rating	• IP69K Rated
Lumens	• 4,000 Lumens - 42W
LED Count	• 6 x 7W High Powered CREE® LED's
Lens	• Polycarbonate Lens
Beam Coverage	• Flood Beam
Colour Temperature	• 6000 K
Accessories	• 304 Stainless Steel Brackets • Built-in DT Connector
Dimensions	• 104.9mm L x 131mm H x 91.1mm D

### BEAM COVERAGE

