



8" 40W High Profile LED Light Bar - Flood Beam

#QVWL4V10F

www.qvee.com.au



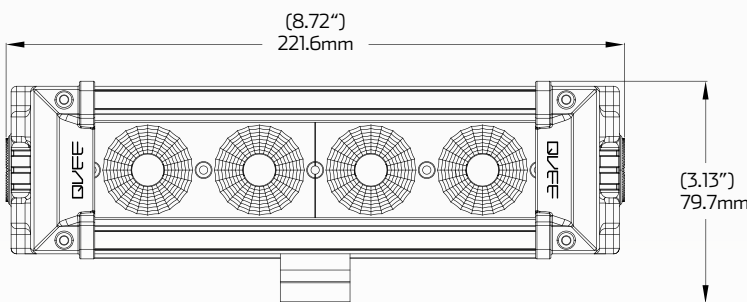
DESCRIPTION

The QVWL4V10F 40W light bar uses high intensity 10W CREE LED's.

Ideal for mining, trucking or the serious 4WD enthusiast who'll be pushing the boundaries of lighting performance.

Optional side leg mounting are available as an optional extra.

DIMENSIONS

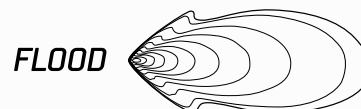


For optional side leg mounting order P/N QVWLEGS



ACCESSORIES

- 1 x Waterproof Connector
- 1 x Wiring Harness and Switch
- Channel Mounting



TECHNICAL SPECIFICATIONS

Voltage	• 9 - 48 Volt
IP Rating	• IP68 Rated
Lumens Rating	• 3,600 Lumens - 40W
LED Count	• 4 x 10W High Powered CREE LED's
Lens Material	• Polycarbonate Lens
Beam Coverage	• Flood Beam
Colour Temperature	• 6000 K
Accessories	<ul style="list-style-type: none"> • 1 x Waterproof Connector • 1 x Wiring Harness and Switch • Channel Mounting

BEAM COVERAGE

