



8" 40W High Profile LED Light Bar - Spot Beam

#QVWL4V10S

www.qvee.com.au



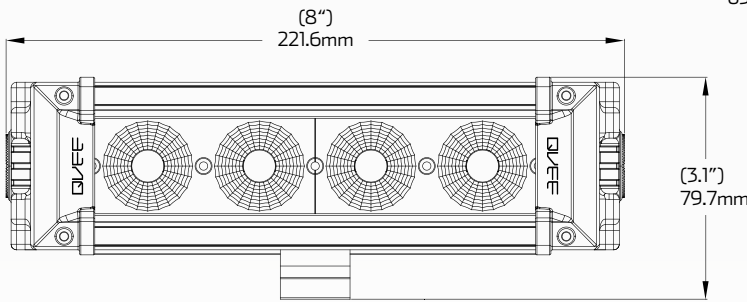
DESCRIPTION

The QVWL4V10S 40W light bar uses high intensity 10W CREE LED's.

Ideal for mining, trucking or the serious 4WD enthusiast who'll be pushing the boundaries of lighting performance.

Optional side leg mounting are available as an optional extra.

DIMENSIONS



For optional side leg mounting order P/N QVWLEGS



ACCESSORIES

- 1 x Waterproof Connector
- 1 x Wiring Harness and Switch
- Channel Mounting



TECHNICAL SPECIFICATIONS

Voltage	• 9 - 48 Volt	Beam Coverage	• Spot Beam
IP Rating	• IP68 Rated	Colour Temperature	• 6000 K
Lumens Rating	• 3,600 Lumens - 40W	Accessories	<ul style="list-style-type: none"> • 1 x Waterproof Connector • 1 x Wiring Harness and Switch • Channel Mounting
LED Count	• 4 x 10W High Powered CREE LED's		
Lens Material	• Polycarbonate Lens		

BEAM COVERAGE

