

## 60W High Powered Oval LED Worklight - Spot Beam

#QVWL60HS

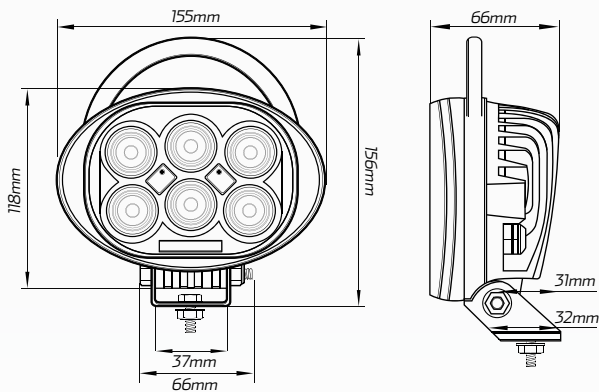
www.qvee.com.au

### DESCRIPTION

The QVEE 60W high powered LED worklight with handle for swivel action has 6 x 10W high powered CREE LED's, putting out a huge 6,000 lumens.

Heavy duty die-cast housing, unique heatsink for heat dispersion and virtually unbreakable polycarbonate lens.

Suits mining, transport, earthmoving, the serious 4WD enthusiast or any heavy duty application.

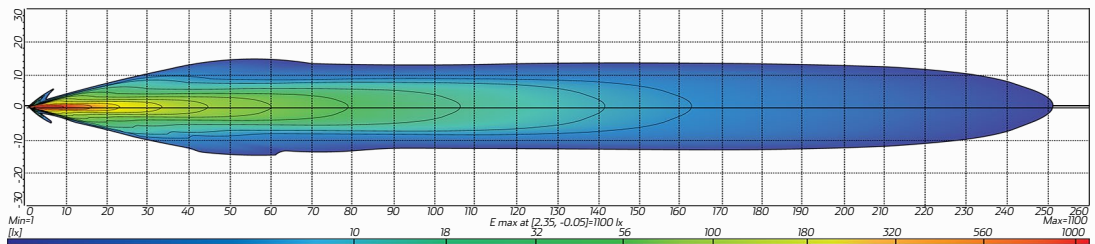


### ACCESSORIES

- 1 x DT Deutsch Connector
- Stainless Steel Brackets



### BEAM COVERAGE



### TECHNICAL SPECIFICATIONS

<b>Voltage</b>	• 9 - 48 Volt / 60W
<b>IP Rating</b>	• IP68 Rated
<b>Lumens</b>	• 6,000 lumens
<b>LED Count</b>	• 6 x 10W High Powered CREE® LED's
<b>Lens</b>	• Polycarbonate Lens

<b>Beam Coverage</b>	• Spot Beam
<b>Colour Temperature</b>	• 6000 K
<b>Accessories</b>	• 1 x DT DEUTSCH Connector • Stainless Steel Brackets
<b>Dimensions</b>	• 155mm L x 156mm H x 66mm D