

60W High Powered Oval LED Worklight - Flood Beam

#QVWL60HWF

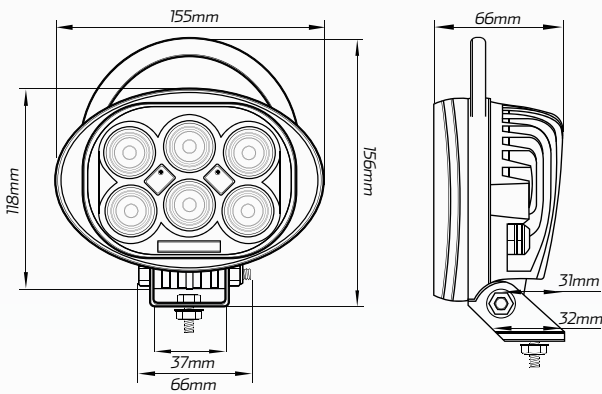
www.qvee.com.au

DESCRIPTION

The QVEE 60W high powered LED worklight with handle for swivel function has 6 x 10W high powered CREE LED's, putting out a huge 6,000 lumens.

Heavy duty die-cast housing, unique heatsink for heat dispersion and virtually unbreakable polycarbonate lens.

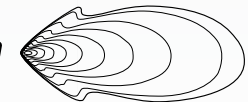
Suits mining, transport, earthmoving, the serious 4WD enthusiast or any heavy duty application.



ACCESSORIES

- 1 x DT Deutsch Connector
- Stainless Steel Brackets

FLOOD



TECHNICAL SPECIFICATIONS

Voltage	• 9 - 48 Volt / 60W
IP Rating	• IP68 Rated
Lumens	• 6,000 lumens
LED Count	• 6 x 10W High Powered CREE® LED's
Lens	• Polycarbonate Lens
Beam Coverage	• Flood Beam
Colour Temperature	• 6000 K
Accessories	• Stainless Steel Brackets • 1x DT DEUTSCH Connector
Dimensions	• 155mm L x 156mm H x 66mm D

BEAM COVERAGE

