

60W High Powered Square LED Worklight - Flood Beam

#QVWL60SF

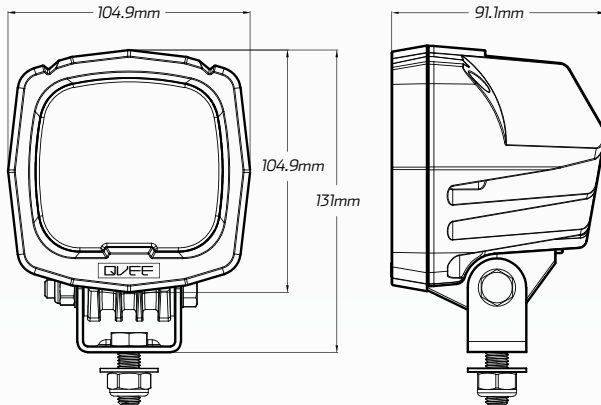
www.qvee.com.au

DESCRIPTION

The QVEE 60W high powered LED worklight has 6 x 10W high powered CREE LED's, putting out a huge 5,400 lumens.

Heavy duty die-cast housing, unique heatsink for heat dispersion and virtually unbreakable polycarbonate lens.

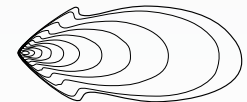
This high powered LED worklight will suit any heavy duty application and provide the ultimate in performance lighting.



ACCESSORIES

- Built-in DT Connector
- 304 Stainless Steel Brackets

FLOOD



TECHNICAL SPECIFICATIONS

Voltage	• 9 - 60 Volt / 60W
IP Rating	• IP69K Rated
Lumens	• Raw: 5,400lm / Effective: 4,400lm
LED Count	• 6 x 10W High Powered CREE® LED's
Lens	• Polycarbonate Lens
Beam Coverage	• Flood Beam
Colour Temperature	• 6000 K
Accessories	• 304 Stainless Steel Brackets • Built-in DT Connector
Dimensions	• 104.9mm L x 131mm H x 91.1mm D

BEAM COVERAGE

