



## 60W High Powered Oval LED Worklight - Flood Beam

#QVWL60WF

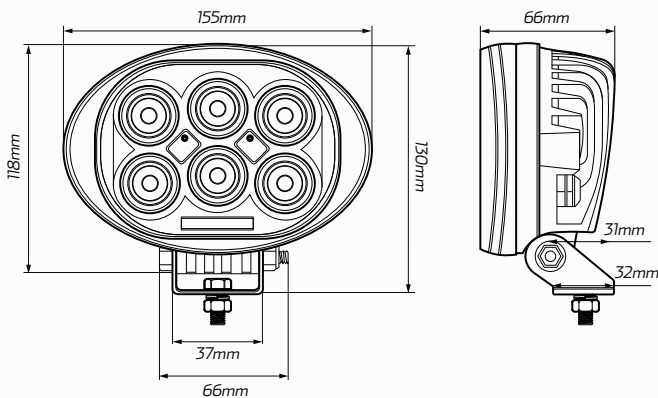
www.qvee.com.au

### DESCRIPTION

The QVEE 60W high powered LED worklight has 6 x 10W high powered Osram® LED's, putting out a huge 7,200 lumens.

Heavy duty die-cast housing, unique heatsink for heat dispersion and virtually unbreakable polycarbonate lens.

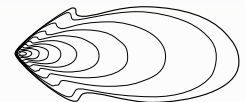
Suits mining, transport, earthmoving, the serious 4WD enthusiast or any heavy duty application.



### ACCESSORIES

- 1 x DT Deutsch Connector
- Stainless Steel Brackets

### FLOOD



### TECHNICAL SPECIFICATIONS

<b>Voltage</b>	• 9 - 48 Volt / 60W
<b>IP Rating</b>	• IP68 Rated
<b>Lumens</b>	• Raw: 7,200Lm / Effective: 6,000Lm
<b>LED Count</b>	• 6 x 10W High Powered Osram® P9 LED's
<b>Lens</b>	• Polycarbonate Lens
<b>Vibration Rating</b>	• 15Grms 24-2000Hz
<b>Shock Resistance</b>	• 60G
<b>Colour Temperature</b>	• 6000 K
<b>Accessories</b>	• Stainless Steel Brackets • 1x DT DEUTSCH Connector
<b>Dimensions</b>	• 155mm L x 130mm H x 66mm D

### BEAM COVERAGE

