



60W High Powered Rectangle LED Worklight - Flood Beam

#QVWLR60WF

www.qvee.com.au

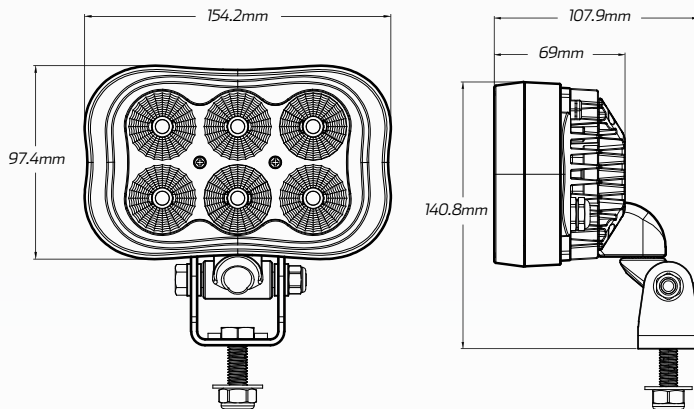


DESCRIPTION

The QVEE 60W high powered LED worklight has 6 x 10W Osram P9 LED's, putting out a massive 6,000 lumens.

Heavy duty housing, unique heatsink for heat dispersion and virtually unbreakable polycarbonate lens.

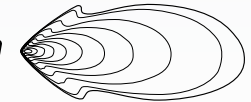
This high powered LED worklight features a dual direction mounting system, which can be adjusted for vertical or horizontal mounting.



ACCESSORIES

- DT Deutsch Connector
- 360° Back Housing
- Stainless Steel Bracket

FLOOD



TECHNICAL SPECIFICATIONS

Voltage	• 10 - 60 Volt / 60W
IP Rating	• IP68 Rated
Lumens	• Raw: 6,000lm / Effective: 5,580lm
LED Count	• 6 x 10W Osram P9 LED's
Lens	• Polycarbonate Lens
Beam Coverage	• Flood Beam
Colour Temperature	• 6000 K
Accessories	• 360° Back Housing • DT Deutsch Connector • Stainless Steel Bracket
Dimensions	• 154.2mm L x 140.8mm H x 108mm D

BEAM COVERAGE

