



82dB "Broadband" Sound Reverse Alarm

#RABBS82

www.brigade-electronics.com



DESCRIPTION

"Shhhh Shhhh" Broadband sound reverse alarm. The BBS-TEK broadband alarms use multi-frequency broadband sound instead of the traditional single frequency sound of a conventional alarm. The sound dissipates much quicker, is directional, and localised in the danger zone, resulting in an enormous reduction in noise and nuisance complaints.

FEATURES

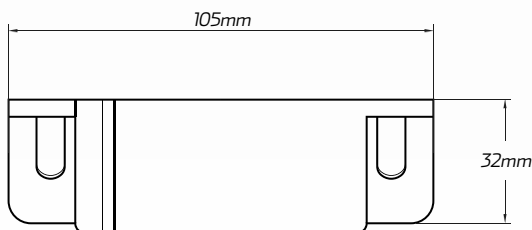
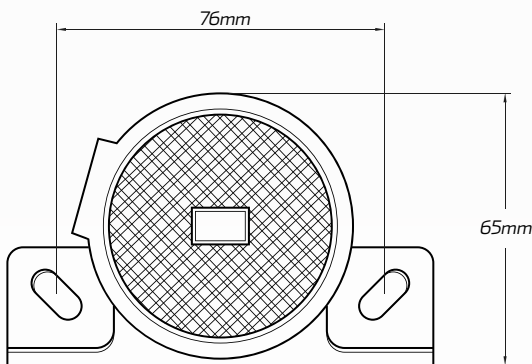
- Multi-frequency broadband sound
- Instantly locatable
- Sound confined to danger area
- Eliminates noise nuisance
- Sounder unit: speaker
- NAS/PIEK approved for night-time delivery



Lifetime Warranty

TECHNICAL SPECIFICATIONS

DIMENSIONS



Voltage	• Multivolt 12 - 24 V DC
IP Rating	• IP68
Amperage	• Max 0.5 Amps
Decibels @ 1m	• 82dB
Frequency	• Multi
Sounder Unit	• Speaker
Mechanical Vibration	• 10 G
Operating Temperature	• -40°C to 85°C
Dimensions	• 105mm W x 65mm H x 32mm L
Hole Centres	• 76mm / 3"
Approvals	<ul style="list-style-type: none"> • CE Marker • EMC Approved: E • SAE J994 • NAS / PIEK approved for night-time