

SPST On/Off Toggle Switch

#ST601

www.qvee.com.au

DESCRIPTION

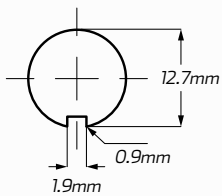
SPST Off/On toggle switch with a push on terminals.
Amperage: 10A @ 12 Volt & 5A @ 24 Volt.



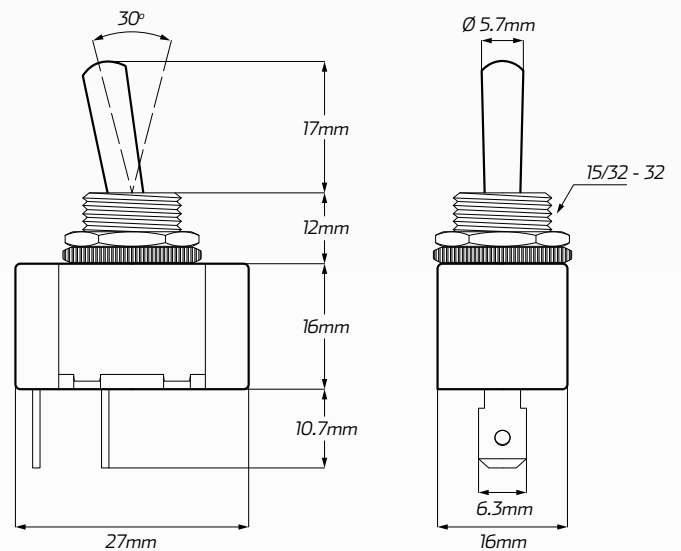
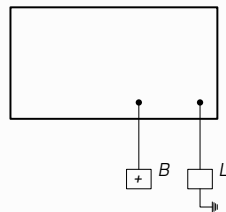
DIMENSIONS

- 2 pin SPST On/Off toggle switch
- 2 blade terminals
- Suitable for 12 volt & 24 volt applications
- Electrical life: up to 10,000 cycles
- Mechanical life: more than 50,000 cycles

Panel Cut-out*



Wiring Diagram



*Measurement Allowance: +/- 0.3mm

TECHNICAL SPECIFICATIONS

Function	• SPST On/Off	Body Colour	• Silver / Black
Suitable Voltage	• 12/24 Volt	Contacts	• 2 pin blade terminals
Amperage	• 10A @ 12V, 5A @ 24V	Panel Thickness	• 6.35mm
Mechanical Life	• More than 50,000 cycles	Switch Dimensions	• 27mm x 55mm x 16mm
Electrical Life	• More than 10,000 cycles	Cut-out Dimensions	• Ø 12.7mm (+/- 0.3mm allowance)