



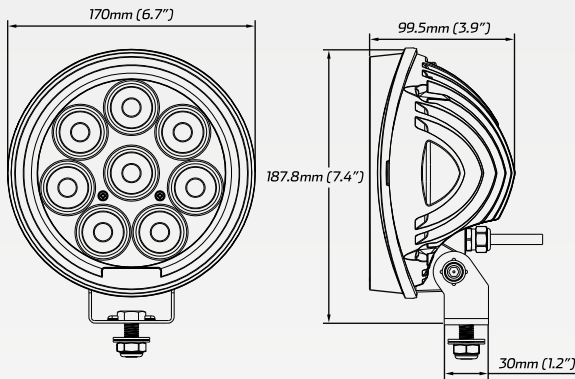
80W High Powered LED Spotlight - Spot Beam

#QVSL80S

DESCRIPTION

The QVSL80 series 80W Spotlights use high intensity 10W CREE LED's. Ideal for Trucking or the serious 4WD enthusiast who'll be pushing the boundaries of lighting performance.

www.qvee.com.au

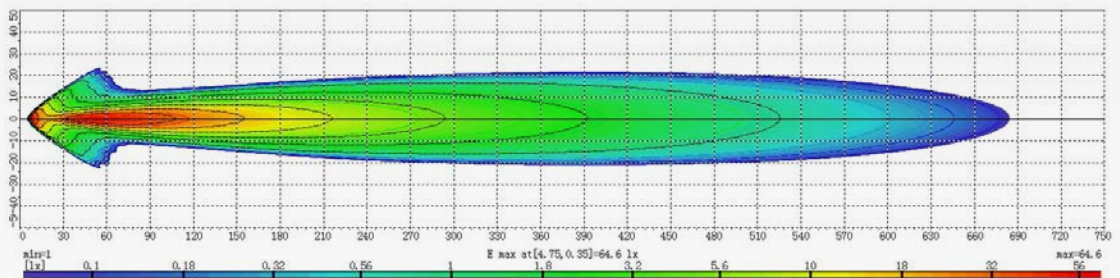


ACCESSORIES

- 1 x Waterproof Connector
- 1 x Wiring Harness and Switch
- 1 x Polycarbonate Protective Clear Cover



Beam Coverage



TECHNICAL SPECIFICATIONS

Voltage	• 9-32 Volt	Beam Coverage	• Spot Beam
IP Rating	• IP68 Rated	Colour Temperature	• 6000 K
Lumens	• 7,200 Lumens - 80W	Accessories	• 1x Waterproof Connector
LED Count	• 8 x 10w High Powered CREE LED's		• 1x Wiring Harness and Switch
Lens	• Polycarbonate Lens		• 1x Polycarbonate Protective Clear Cover

