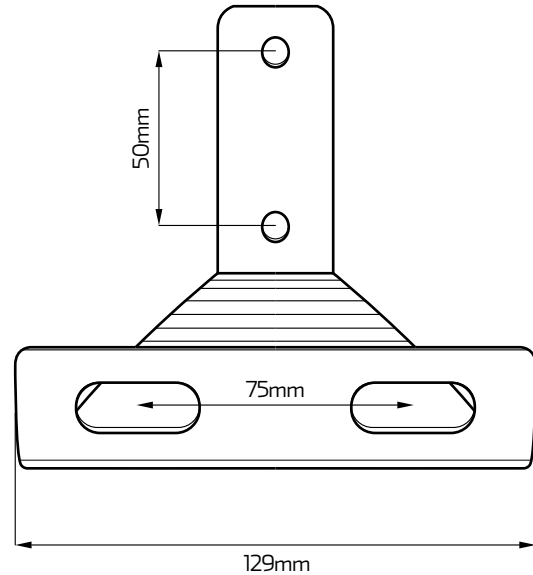
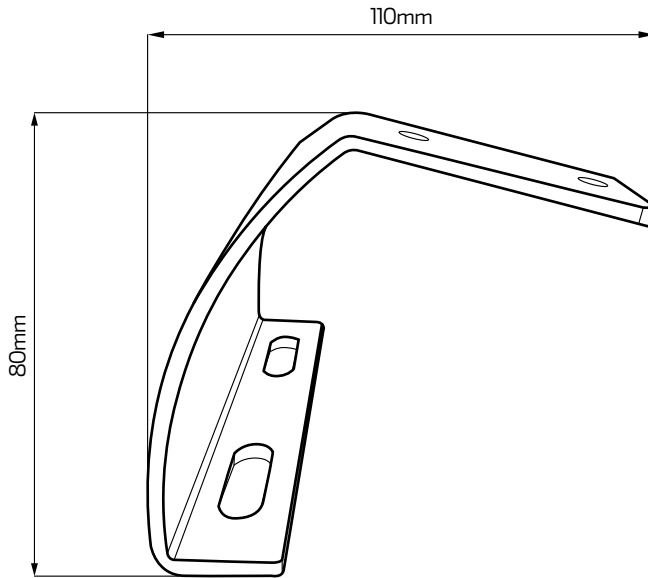


QVBRK15 MINE BAR MOUNTING BRACKET

Dimension Diagram

Dimensions*:



*Allowance of +/- 1mm. Also applicable for most worklights & safety flags.

*To avoid warranty issues QVEE recommends our products are fitted by a qualified Auto Electrician.