



Battery Isolator Lever Lockouts

#QV24505

www.qvee.com.au

DESCRIPTION

Isolator lever lockout kits to prevent unauthorized or accidental activation. Can be locked into the off position with a padlock. (Padlock not included).

Suits BI75910 isolator switch. Will also suit Cole Hersee 75910, 75907B, 75912B and Narva 61075 isolator switches.

Comes supplied with mounting screws.



FEATURES

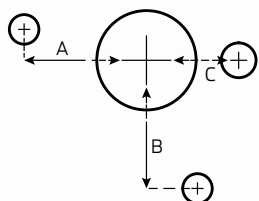
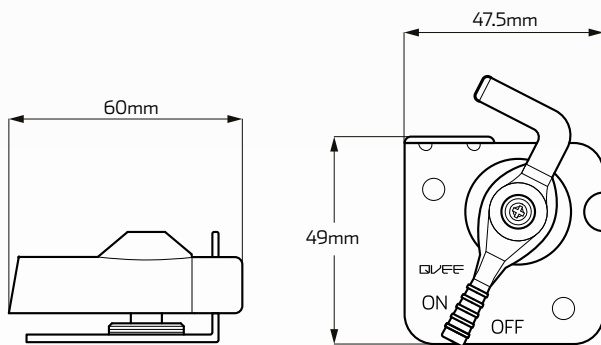
- Lockable only in the OFF position to protect personnel and vehicles from accidental or unauthorised start up
- Stainless steel body and powder coated for identification (not QV24505)
- Suits QVEE, Cole Hersee & Narva isolator switches

Comprises:

- 1x Isolator lockout
- 1x Locking handle
- 2x Mounting screws

Lockout is not supplied with a padlock

TECHNICAL SPECIFICATIONS



Mounting Dimensions:

- A: 21mm +/- 1.5mm
- B: 24mm +/- 1.5mm
- C: 20mm +/- 0.5mm

Material	• Stainless steel
Dimensions	• 47.5mm x 49mm x 60mm

Part Number	Colour	Description
QV24505	Silver	Silver isolator lever lockout
QV24505R	Red	Red isolator lever lockout
QV24505Y	Yellow	Yellow isolator lever lockout

Brand	Suitable Isolator Switches
QVEE	BI75910
Narva	61075
Cole Hersee	75910, 75912, 75904-3, 75907, 75907B, 75912B