



SPST 280 Micro Relays

#QV3011ACR1

www.qvee.com.au

DESCRIPTION

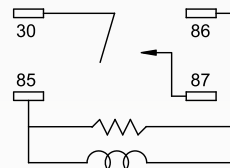
Normally open 4 pin micro 280 relays (SPST). Suitable for a wide range of automotive applications. Resistor protected.

FEATURES

- SPST normally open contact configuration
- -40°C to 125°C operating temperature
- RoHS and ELV compliant



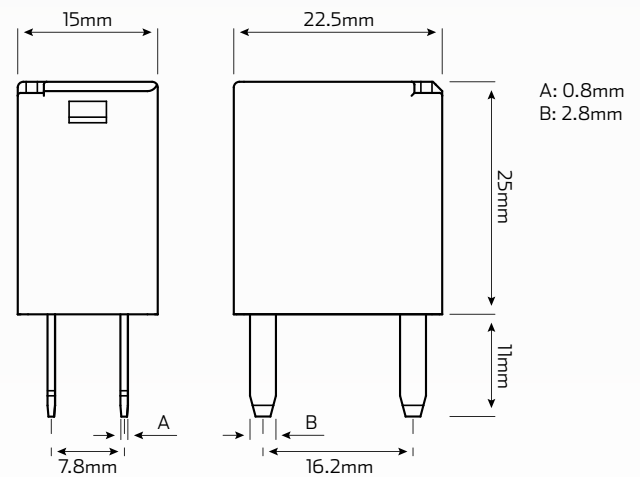
Wiring Diagram



TECHNICAL SPECIFICATIONS

Coil Current	• 97.5mA (12V), 49.6mA (24V)
Coil Resistance	• 123 Ohms (12V), 483 Ohms (24V)
Contact Voltage Drop	• Typ. 40mV at 10A
Contact Material	• Silver tin oxide alloy (Ag3Sn)
Operate / Release Time	• 10ms max / 10ms max
Enclosure	• Flux tight seal
Operating Temperature	• -40°C to 125°C (no freezing)
Mechanical Life Expectancy	• 10,000,000 operations
Approvals	• ELV-2000/53/EC, RoHS compliant

DIMENSIONS



* Terminal size: 2.8mm; Specifications of contact ratings are for resistive load.

PART NUMBERS

Part No.	Voltage	Amperage	Protection	Description
QV3011ACR112	• 12 Volt	• 35 Amp (14VDC)	• ½W 680 Ohm Resistor	• 12V, 35A normally open 4 pin micro relay. Resistor protected
QV3011ACR124	• 24 Volt	• 15 Amp (28VDC)	• ½W 2.7K Ohm Resistor	• 24V, 15A normally open 4 pin micro relay. Resistor protected