

## Battery Isolator Locking Brackets

Sold Individually

www.qvee.com.au

### DESCRIPTION

Rugged QVEE battery isolator bracket. Securely locks battery isolator in the OFF position, ensuring no unauthorised use of the machine or unexpected start-ups to occur.

Suitable for use with vehicles & machinery and is compatible with major brands isolator switches such as Hella, Bosch & Cole Hersee. Padlock not supplied.

Lockout is not supplied with a padlock



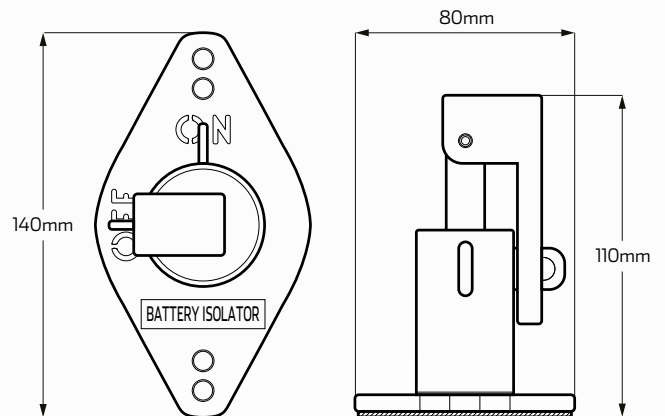
### FEATURES

- Designed to enable battery master switches to be securely locked in the OFF position
- Protects personnel & vehicle from unauthorised start up
- Suits QVEE, Hella, Bosch & Cole Hersee battery isolators
- Stainless steel body & powder coated for easy identification

### TECHNICAL SPECIFICATIONS

<b>Housing Material</b>	• Powder coated die-cast zinc
<b>Body Material</b>	• Stainless steel shaft
<b>Dimensions</b>	• 140mm x 110mm x 80mm (When lever is at max)

### DIMENSIONS



### PART NUMBERS

Part No.#	Colour	Description
QVBILO3R	• Red	• Stainless steel lockout for use with a padlock. Red powder coated. Comes supplied with 'Battery Isolator' stickers.
QVBILO3Y	• Yellow	• Stainless steel lockout for use with a padlock. Yellow powder coated. Comes supplied with 'Starter Isolator' stickers.