



## Standard Relay Mounting Base

#QVRLB

www.qvee.com.au

### DESCRIPTION

Standard 4 & 5 pin relay mounting base with mount tab. Suitable for a wide range of automotive applications.

Terminals provided.



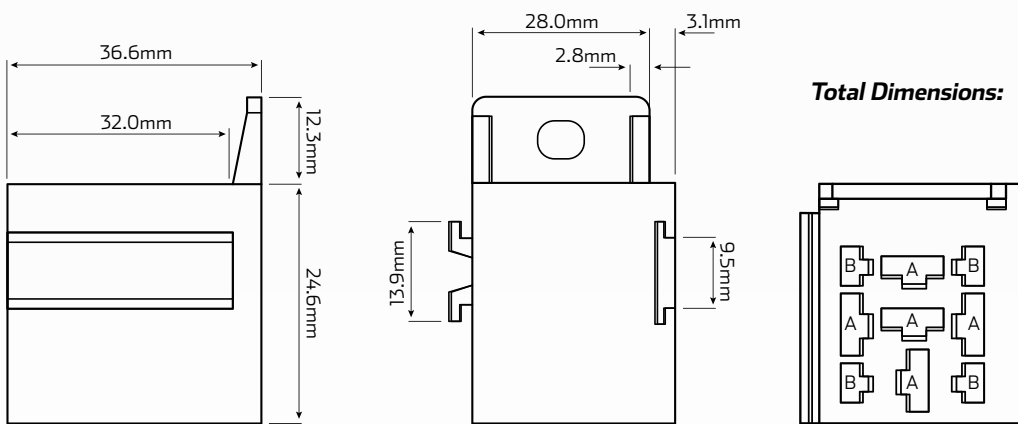
### FEATURES

- Will suit both 4 & 5 pin relays
- Comes with 5 x 6.3mm female terminals
- Suits 9 different types of relays with both 6.3mm and 2.8mm terminals
- Stackable base. Can be joined together to form a gang

#### Comprises:

- 1 x Relay base
- 5 x Female Terminals (6.3mm)

### DIMENSIONS



#### Total Dimensions:

- Length: 31.1mm
- Depth: 36.6mm
- Height: 36.9mm

#### Installation:

- A suits 6.3mm terminals
- B suits 2.8mm terminals

\*Unit measurement tolerance: +/- 3mm

### TECHNICAL SPECIFICATIONS

Body Material	• Polyamide	Dimensions	• 31.1mm L x 36.9mm H x 36.6mm D
Body Colour	• Black	Mounting Hole	• Mount tab, Ø 6mm